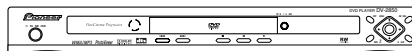


Service Manual



DV-2850-S

ORDER NO.
RRV3123

DVD PLAYER

DV-2850-S

THIS MANUAL IS APPLICABLE TO THE FOLLOWING MODEL(S) AND TYPE(S).

Model	Type	Power Requirement	Region No.	Remarks
DV-2850-S	WYXTL	AC220-240V	2	
DV-2850-S	WVXTL	AC220-240V	2	



For details, refer to "Important Check Points for Good Servicing" .

SAFETY INFORMATION



This service manual is intended for qualified service technicians ; it is not meant for the casual do-it-yourselfer. Qualified technicians have the necessary test equipment and tools, and have been trained to properly and safely repair complex products such as those covered by this manual. Improperly performed repairs can adversely affect the safety and reliability of the product and may void the warranty. If you are not qualified to perform the repair of this product properly and safely, you should not risk trying to do so and refer the repair to a qualified service technician.

WARNING !

THE AEL (ACCESSIBLE EMISSION LEVEL) OF THE LASER POWER OUTPUT IS LESS THAN CLASS 1 BUT THE LASER COMPONENT IS CAPABLE OF EMITTING RADIATION EXCEEDING THE LIMIT FOR CLASS 1.
A SPECIALLY INSTRUCTED PERSON SHOULD DO SERVICING OPERATION OF THE APPARATUS.

LASER DIODE CHARACTERISTICS

FOR DVD : MAXIMUM OUTPUT POWER : 5 mW
WAVELENGTH : 650 nm
FOR CD : MAXIMUM OUTPUT POWER : 5 mW
WAVELENGTH : 780 nm

LABEL CHECK

Location: inside of the unit

CAUTION	: VISIBLE AND INVISIBLE LASER RADIATION WHEN OPEN. AVOID EXPOSURE TO BEAM.	7260000356 SH
VORSICHT	: SICHTBARE UND UNSICHTBARE LASERSTRAHLUNG. WENN ABDECKUNG GEÖFFNET NICHT DEM STRAHL AUSSETZEN !	
ADVARSEL	: SYNLIG OG USYNLIG LASERSTRÅLING VED ÅBNING UNGDÅ UDSÆTTELSE FOR STRÅLING.	
VARNING	: SYNLIG OCH OSYNLIG LASERSTRÅLNING NÄR DENNA DEL ÄR ÖPPNAD BETRAKTA EJ STRÅLEN.	
VARO!	: AVATTAESSA ALTISTUT NÄKYVÄ JA NÄKYMÄTTÖMÄLLE LASERSATEIL YLLE. ÄLÄ KATSO SÄTEESEN.	
CUIDADO	: RADIACIÓN LÁSER VISIBLE E INVISIBLE AL ESTAR ABIERTO. EVITAR EXPOSICIÓN AL RAYO.	

**CLASS 1
LASER PRODUCT**

(Printed on the Rear Panel)

Additional Laser Caution

1. Laser diode is driving with Q2303, Q2305(650nm LD) and Q2302, Q2304(780nm LD) on the DVD MT PCB Assy. Therefore, when short-circuit between the emitter and collector of these transistors or the base voltage is supplied for transistors turn on, the laser oscillates. (failure mode)
 - In the test mode *, there is the mode that the laser oscillates except for the disc judgment and playback. LD ON mode in the test mode oscillates with the laser forcibly.
2. When the cover is open, close viewing through the objective lens with the naked eye will cause exposure to the laser beam.

* : See page 53.

[Important Check Points for Good Servicing]

In this manual, procedures that must be performed during repairs are marked with the below symbol. Please be sure to confirm and follow these procedures.

1. Product safety



Please conform to product regulations (such as safety and radiation regulations), and maintain a safe servicing environment by following the safety instructions described in this manual.

- ① Use specified parts for repair.

Use genuine parts. Be sure to use important parts for safety.

- ② Do not perform modifications without proper instructions.

Please follow the specified safety methods when modification (addition/change of parts) is required due to interferences such as radio/TV interference and foreign noise.

- ③ Make sure the soldering of repaired locations is properly performed.

When you solder while repairing, please be sure that there are no cold solder and other debris. Soldering should be finished with the proper quantity. (Refer to the example)

- ④ Make sure the screws are tightly fastened.

Please be sure that all screws are fastened, and that there are no loose screws.

- ⑤ Make sure each connectors are correctly inserted.

Please be sure that all connectors are inserted, and that there are no imperfect insertion.

- ⑥ Make sure the wiring cables are set to their original state.

Please replace the wiring and cables to the original state after repairs. In addition, be sure that there are no pinched wires, etc.

- ⑦ Make sure screws and soldering scraps do not remain inside the product.

Please check that neither solder debris nor screws remain inside the product.

- ⑧ There should be no semi-broken wires, scratches, melting, etc. on the coating of the power cord.

Damaged power cords may lead to fire accidents, so please be sure that there are no damages. If you find a damaged power cord, please exchange it with a suitable one.

- ⑨ There should be no spark traces or similar marks on the power plug.

When spark traces or similar marks are found on the power supply plug, please check the connection and advise on secure connections and suitable usage. Please exchange the power cord if necessary.

- ⑩ Safe environment should be secured during servicing.

When you perform repairs, please pay attention to static electricity, furniture, household articles, etc. in order to prevent injuries. Please pay attention to your surroundings and repair safely.

2. Adjustments



To keep the original performance of the products, optimum adjustments and confirmation of characteristics within specification. Adjustments should be performed in accordance with the procedures/instructions described in this manual.

3. Lubricants, Glues, and Replacement parts



Use grease and adhesives that are equal to the specified substance. Make sure the proper amount is applied.

4. Cleaning



For parts that require cleaning, such as optical pickups, tape deck heads, lenses and mirrors used in projection monitors, proper cleaning should be performed to restore their performances.

5. Shipping mode and Shipping screws



To protect products from damages or failures during transit, the shipping mode should be set or the shipping screws should be installed before shipment. Please be sure to follow this method especially if it is specified in this manual.

CONTENTS

- SAFETY INFORMATION 2
- 1. SPECIFICATIONS 5
- A 2. EXPLODED VIEWS AND PARTS LIST 6
 - 2.1 PACKING SECTION 6
 - 2.2 EXTERIOR SECTION 8
 - 2.3 05 DVD MECHA SECTION 10
- 3. BLOCK DIAGRAM AND SCHEMATIC DIAGRAM 12
 - 3.1 BLOCK DIAGRAM 12
 - 3.2 OVERALL WIRING CONNECTION DIAGRAM 14
 - 3.3 DVD MT PCB (1/5) ASSY 16
 - 3.4 DVD MT PCB (2/5) ASSY 18
 - 3.5 DVD MT PCB (3/5) ASSY 20
 - 3.6 DVD MT PCB (4/5) ASSY 22
 - 3.7 DVD MT PCB (5/5) ASSY 24
 - B 3.8 OPERATION, OPERATION 2 and OPERATION 3 PCB ASSYS 26
 - 3.9 POWER PCB (1/2) ASSY 28
 - 3.10 POWER PCB (2/2) ASSY 30
 - 3.11 WAVEFORMS 32
- 4. PCB CONNECTION DIAGRAM 35
 - 4.1 LOADING and SW PCB ASSYS 35
 - 4.2 DVD MT PCB ASSY 36
 - 4.3 OPERATION, OPERATION 2 and OPERATION 3 PCB ASSYS 40
 - 4.4 POWER PCB ASSY 44
- 5. PCB PARTS LIST 46
- 6. ADJUSTMENT 52
 - 6.1 WHEN REPLACING DVD DECK 52
 - C 6.2 TEST MODE 53
 - 6.3 DISC REMOVAL METHOD 54
- 7. GENERAL INFORMATION 55
 - 7.1 DIAGNOSIS 55
 - 7.1.1 TEST MODE IN 55
 - 7.1.2 DISPLAY SPECIFICATION OF THE TEST MODE 56
 - 7.1.3 FUNCTIONAL SPECIFICATION OF THE SHORTCUT KEY 57
 - 7.1.4 SPECIFICATION OF MODEL INFORMATION DISPLAY 58
 - 7.1.5 FUNCTIONAL SPECIFICATION OF THE SERVICE MODE 59
 - 7.1.6 METHOD FOR DIAGNOSING DEGRADATION OF THE LDS ON THE PICKUP ASSY 60
 - 7.1.7 TROUBLE SHOOTING 61
 - D 7.2 DISASSEMBLY 63
 - 7.3 IC INFORMATION 68
 - 7.4 DISC / CONTENT FORMAT PLAYBACK COMPATIBILITY 78
- 8. PANEL FACILITIES 80
 - 8.1 FRONT PANEL SECTION 80
 - 8.2 DISPLAY 81
 - 8.3 REMOTE CONTROL 82

E

F

1. SPECIFICATIONS

Specifications

General

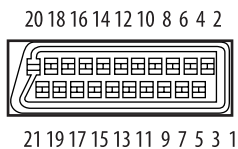
System DVD player
Power requirements . . AC 220–240 V, 50/60 Hz
Power consumption 7 W
Power consumption (standby) 0.75 W
Weight 1.7kg

Dimensions:

DV-2850 . . . 420 (W) x 49.5 (H) x 213.6 (D) mm
Operating temperature +5°C to +35°C
Operating humidity 5% to 85%
(no condensation)

AV connector output

AV Connector (21-pin connector assignment)
AV connector output 21-pin connector
This connector provides the video and audio signals for connection to a compatible colour TV or monitor.



PIN no.

1. Audio 2/R out
3. Audio 1/L out
4. GND
7. B out
8. Status
11. G out
15. R out
17. GND
19. Video out
21. GND

Component video output

Y (luminance) - Output level . . . 1 Vp-p (75 Ω)
P_B (color) - Output level 0.7 Vp-p (75Ω)
P_R (color) - Output level 0.7 Vp-p (75 Ω)
Jack RCA

S-video output

Y (luminance) - Output level 1 Vp-p (75Ω)
C (color) - Output level 286 mVp-p (75 Ω)
Jack S-video

Video output

Output level 1 Vp-p (75Ω)
Jack RCA

Audio output (1 stereo pair)

Output level During audio output
200 mVrms (1 kHz, –20 dB)
Number of channels 2
Jacks RCA

Digital audio characteristics

Frequency response 4 Hz to 44 kHz
(DVD fs: 96 kHz)

S/N ratio 115 dB
Dynamic range 101 dB
Total harmonic distortion 0.0023 %
Wow and flutter Limit of measurement
(±0.001% W. PEAK) or lower

Digital output

Coaxial digital output RCAjack


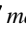
Accessories

Audio/video cable 1
Power cable 1
Remote control 1
AA/R6P dry cell batteries 2
Warranty card 1
Operating Instructions

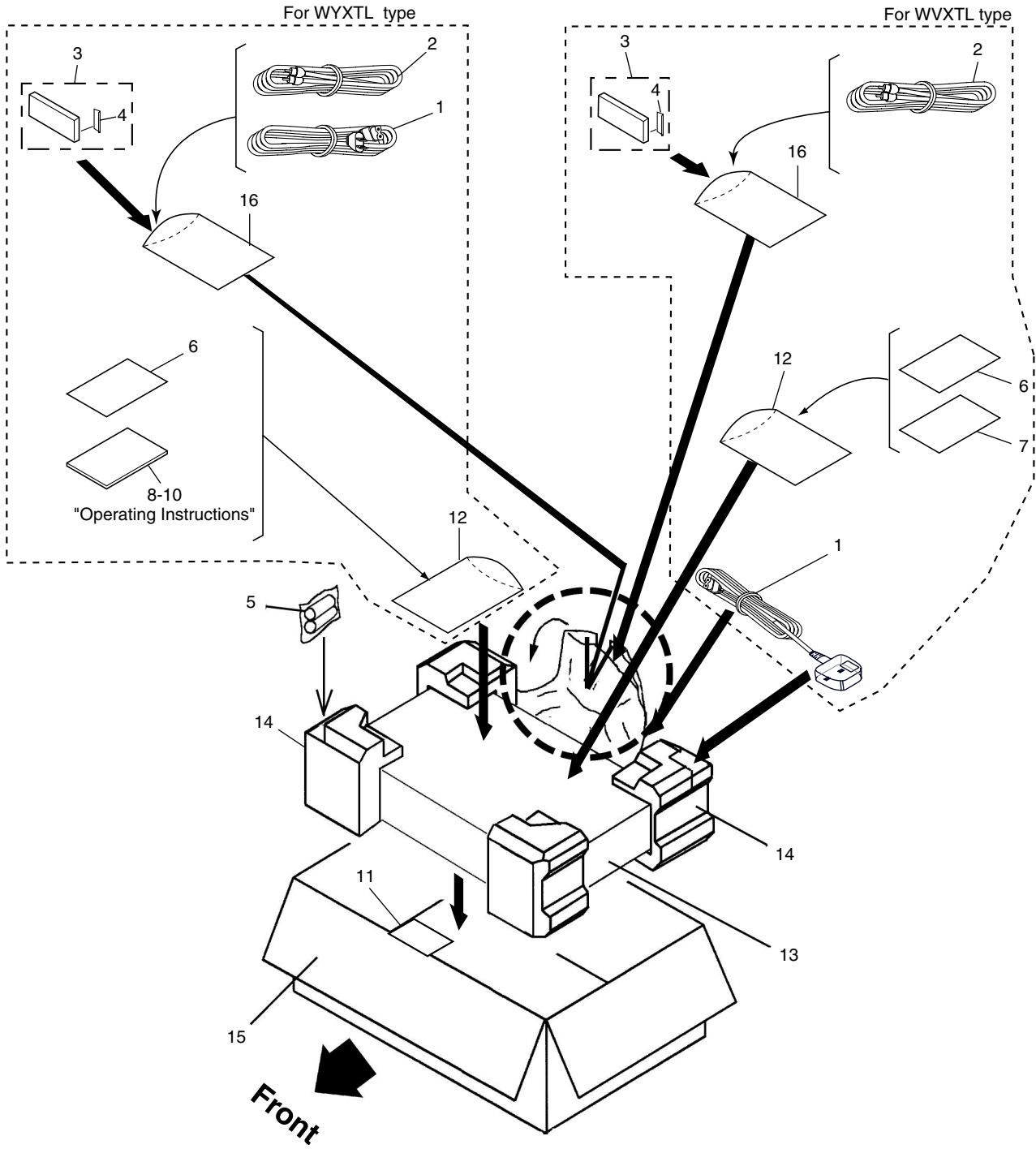
The specifications and design of this product are subject to change without notice, due to improvement.

Published by Pioneer Corporation.
Copyright © 2005 Pioneer Corporation.
All rights reserved

2. EXPLODED VIEWS AND PARTS LIST

- NOTES:
- Parts marked by "NSP" are generally unavailable because they are not in our Master Spare Parts List.
 - The  mark found on some component parts indicates the importance of the safety factor of the part. Therefore, when replacing, be sure to use parts of identical designation.
 - Screws adjacent to  mark on product are used for disassembly.
 - For the applying amount of lubricants or glue, follow the instructions in this manual. (In the case of no amount instructions, apply as you think it appropriate.)

2.1 PACKING SECTION



5 6 7 8

PACKING SECTION parts List

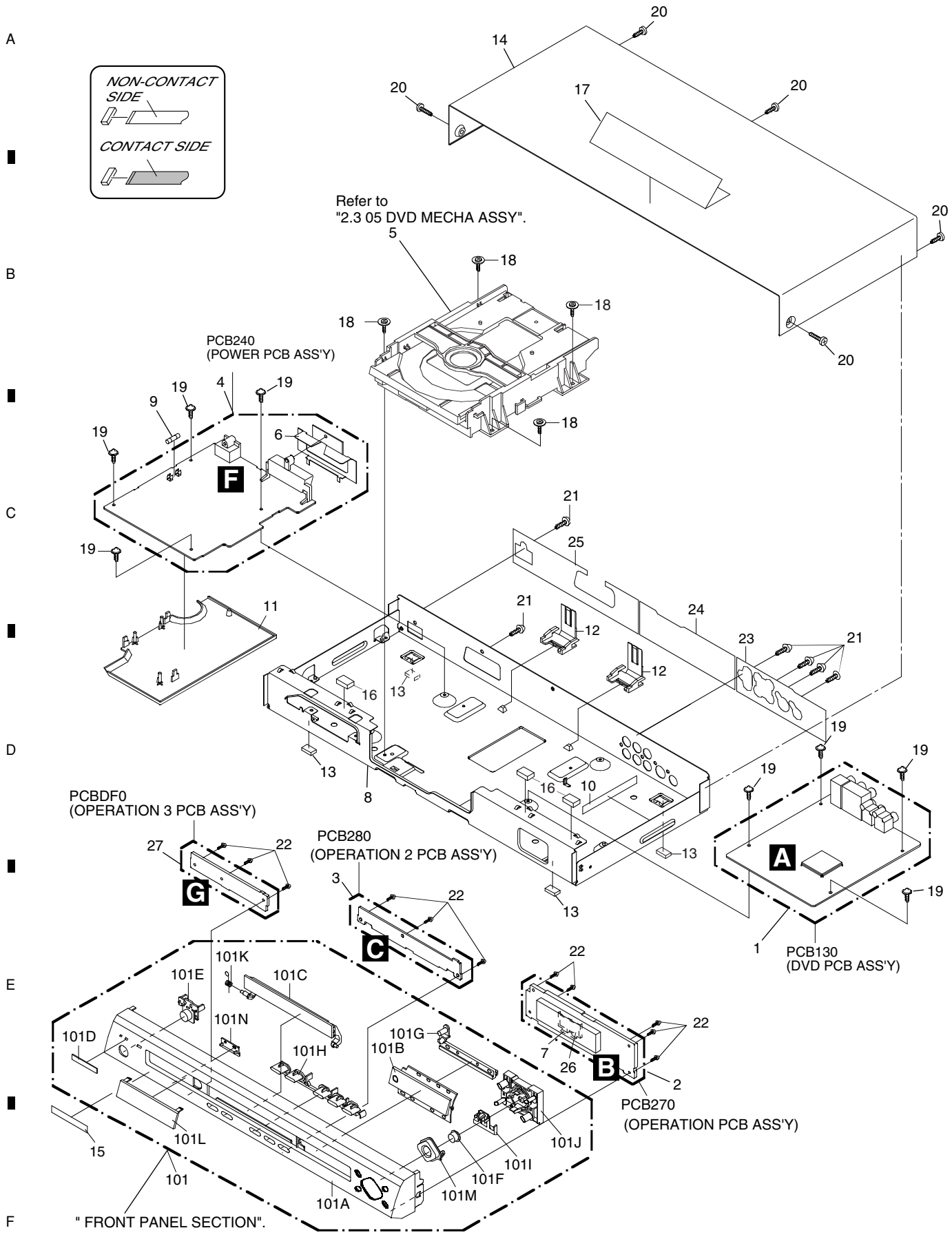
<u>Mark No.</u>	<u>Description</u>	<u>Part No.</u>	<u>Mark No.</u>	<u>Description</u>	<u>Part No.</u>
△ 1	Cord Set AC	See Contrast table (2)	11	Package, Pad	792WHA0604
2	Cord, RCA Pin	06CPBA2006	12	Polyethylene Bag	See Contrast table (2)
3	Remote Control	VXX2914	13	Gift Sheet	791WHA0108
4	Battery Cover	VNK4998	14	Package	See Contrast table (2)
NSP 5	Battery,Mangan (AR, R6P)	141L003010	15	Gift Box	See Contrast table (2)
NSP 6	Guarantee Card	J2G50202A	NSP 16	Poly. Bag	791WHAA040
7	Operating Instructions(English)	See Contrast table (2)			
8	Operating Instructions	See Contrast table (2)			
9	Operating Instructions	See Contrast table (2)			
10	Operating Instructions	See Contrast table (2)			

(2) CONTRAST TABLE

DV-2850-S/WVXTL and DV-2850-S/WYXTL are constructed the same except for the following :

Mark	No.	Symbol and Description	DV-2850-S/WVXTL	DV-2850-S/WYXTL
△	1	Cord Set AC	1206138802	1206158802
	7	Operating Instructions (English)	J2G50101B	Not used
	8	Operating Instructions (English, Italian)	Not used	J2G50321A
	9	Operating Instructions (German, French)	Not used	J2G50322A
	10	Operating Instructions (Spanish, Duch)	Not used	J2G50323A
	12	Polyethylene Bag	JB5KD200	JB5K400
	14	Package	792WHA0597	792WHA0588
	15	Gift Box	793WCD1643	793WCDC717

2.2 EXTERIOR SECTION



EXTERIOR SECTION parts List

<u>Mark No.</u>	<u>Description</u>	<u>Part No.</u>
1	DVD MT PCB Assy	A2G502A130
2	OPERATION PCB Assy	A2G501A270
3	OPERATION 2 PCB Assy	A2G501A280
⚠	4 POWER PCB Assy	A2G502A240
⚠	5 DVD MECHA ASSY	A2F101A650
6	Shield,21Pin	761WSA0237
7	PLATE, FIP	752WSA0466
8	Plate,Bottom	702WSA0243
⚠	9 Fuse (F501 : 1.6A)	080NT1R604
10	Sheet,Caution	7260000356
11	Plate,Cover Power	755WPA0046
12	Holder,FFC	761WPA0396
13	Cushion,Leg	VEB1349
14	Cabinet,Top	702WSB0114
NSP 15	POP Label	7236310006
16	Cushion (15x20x16)	8965TS1015
NSP 17	POP Label	7236310019
18	Screw, Tap Tite(S)Bind Wash.	816423063U
19	Screw, Tap Tite(S) (3x5.5)	8107D3055U
20	Screw, Tap Tite(B) (3x6.0)	8109K3060U
21	Screw, Tap Tite(B)Pan (3x6)	810913060U
22	Screw, Tap Tite(P)Flat (2.6x10)	8110326A0U
23	Sheet,Jack 1	7226310057
24	Sheet,Jack 2	7226310073
25	Sheet,Jack 3	7226310063
26	Double,Face-Tape	7290000156
27	OPERATION 3 PCB Assy	A2G501ADF0
101	Front Cabi Assy	7A7010108A
NSP 101A	Cabinet,Front	701WPJ1346
NSP 101B	Plate,Display	711WPA0226
101C	Flap,DVD	712WPD0181
101D	Badge,Brand	7236310014
NSP 101E	Button, Power	738WPB0052
NSP 101F	Button,Cap 1	738WPJ0054
NSP 101G	Button,Frame 3	738WPA0134
NSP 101H	Button,Frame 4	738WPB0053
NSP 101I	Button,Frame 1	738WPA0132
NSP 101J	Button,Frame 2	738WPB0056
101K	Spring,Flap-DVD	743WKA0052
101L	Plate, Cover	711WPA0235
NSP 101M	Button, Cap 2	738WPJ0055
NSP 101N	Holder, Tag	711WPA0370

5 6 7 8

05 DVD MECHA SECTION parts List

<u>Mark No.</u>	<u>Description</u>	<u>Part No.</u>
1	Loading Motor PCB Assy	A2F101A610
2	Gear,Middle	92P100117A
⚠ 3	Loading Motor	1515S98004
4	Pulley,Motor	92P100097A
⚠ 5	FEED Motor	1515S98004
6	Cord Jumper (24P)(CD2001)	122H002305
7	Cord Jumper (CD2302)	122H051602
8	Insulator (F)	92P200013A
9	Belt,Loading	92P200015A
10	Insulator (R)	92P200016A
11	Frame,main	92P100119A
12	Tray (B)	92P100127A
13	Holder ,Traverse	92P100125A
14	Gear,Pulley	92P100123A
15	Gear,Main	92P100124A
16	Gear,Feed	92P100116A
17	SW PCB Assy (PCB640)	A2F101A640
18	Plate,Clamper	92P000023A
19	Loader SUB Assy	92AAA0019A
20	Clamper	92P100122A
21	Screw,Pan (M1.7x3 P3)	814011730U
22	Screw,Pan (M1.7x2.3 P3)	814011723U
23	Rack,Loading	92P100121A
24	Gear,Motor	92P100088A
25	Feed Rack Assy	92AAA0017A
26	Screw,T-Tite(B) (M1.7x5.0 P3)	813381750U
27	Screw,Gear Feed	92P700007A
28	Cord Jumper (CD2301)	122H061605
29	Switch (SW1)	0515S32003
30	Push Switch (SW2)	0500101036
31	Screw, Tap Tite(P) (2.6x8)	811022680U
32	Sems. Tap Tite(P) (2x8)	816112080U
33	Screw (Bind 2x8)	811022080U
⚠ 34	DVD MECHA ASSY	A2F101A650
NSP 35	Traverse SUB ASSY	92AAA0016A

A

B

C

D

E

F

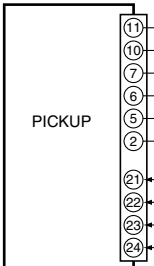
3. BLOCK DIAGRAM AND SCHEMATIC DIAGRAM

3.1 BLOCK DIAGRAM

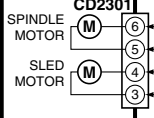
A

A DVD MT PCB ASSY

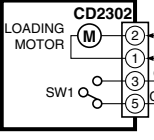
DVD MECHA ASSY



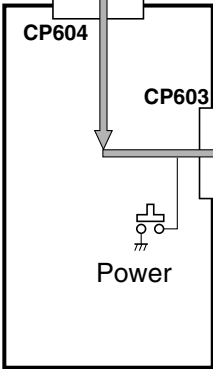
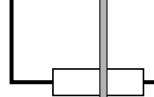
D SW PCB ASSY



E LOADING MOTOR PCB ASSY

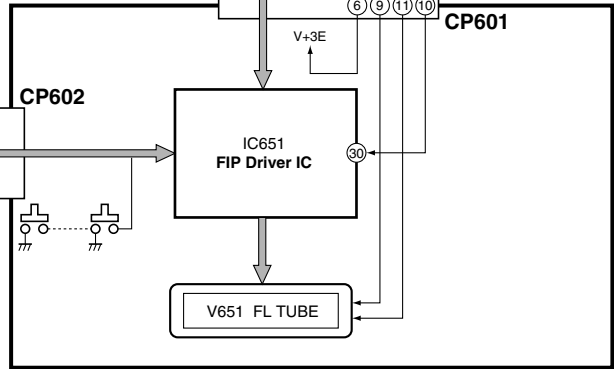


C OPERATION 2 PCB ASSY



G OPERATION 3 PCB ASSY

B OPERATION PCB ASSY



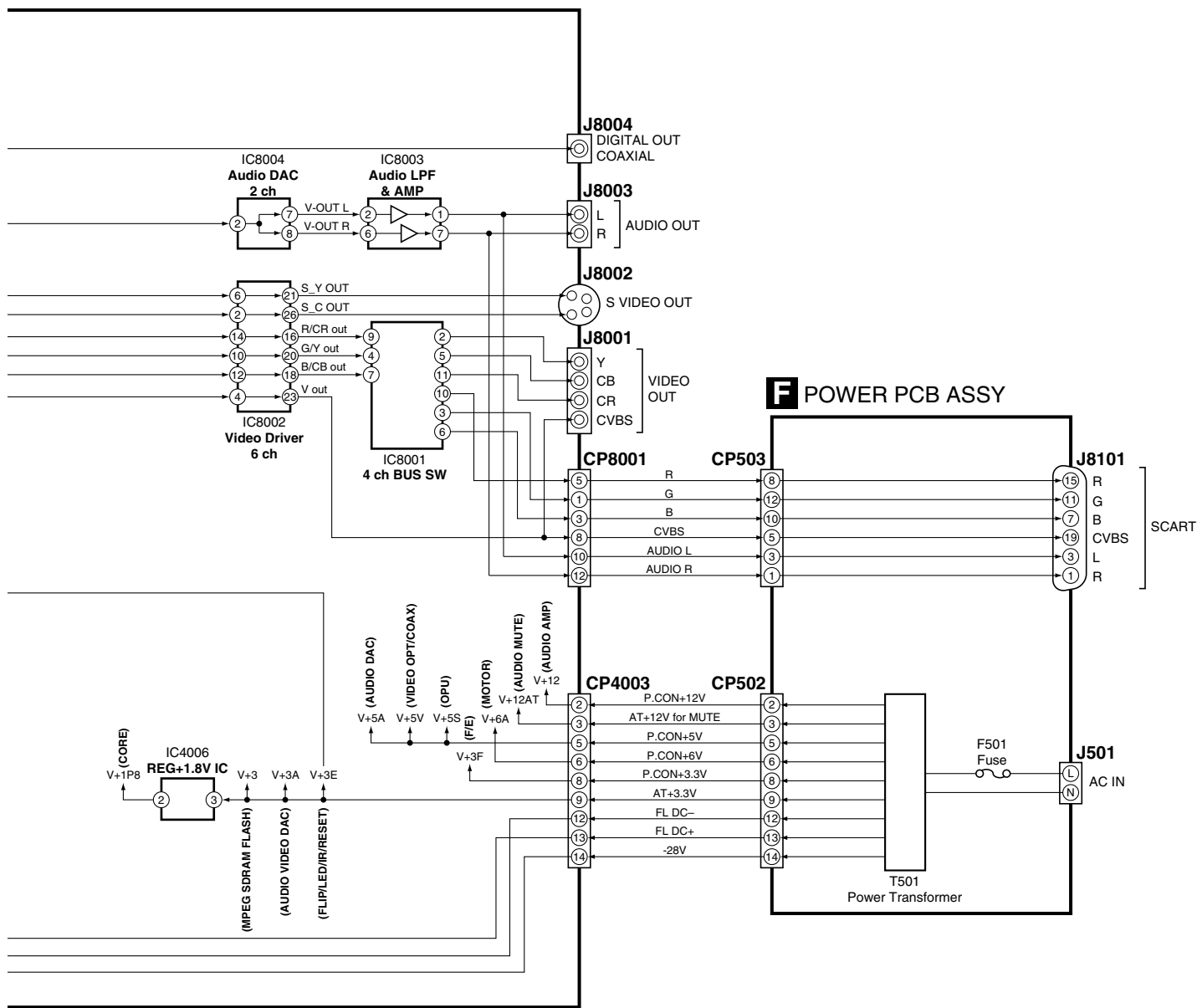
B

C

D

E

F



3.2 OVERALL WIRING CONNECTION DIAGRAM

A

DVD MECHA ASSY (A2F101A650)

B

OPTICAL PICKUP

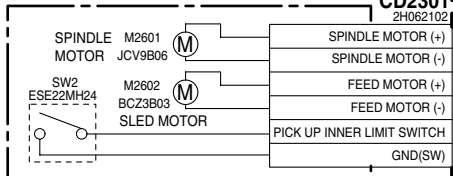


F-	24	←	24	24	FOCS RTN
F+	23	←	23	23	FOCS DRV
T-	22	←	22	22	TRKG RIN
T+	21	←	21	21	TRKG DRV
NC	20	←	20	20	NC
GND(CD)	19	←	19	19	GND
VOL(DVD)	18	←	18	18	LD_DVD(650)
GND(DVD)	17	←	17	17	PD/GND
LD(DVD)	16	←	16	16	LD_CD(780)
GND(DVD)	15	←	15	15	GND
VOL(CD)	14	←	14	14	VR780(CD)
MON(COM)	13	←	13	13	VRCOM
MON(DVD)	12	←	12	12	VR650(DVD)
A	11	←	11	11	A
B	10	→	10	10	B
RF	9	→	9	9	VRV(RF_OUT)
DVD/CD(SW)	8	→	8	8	SW1(DVD/CD)
C	7	→	7	7	C
D	6	→	6	6	D
E	5	→	5	5	E
VCC	4	→	4	4	VCC
VREF	3	←	3	3	VS
F	2	←	2	2	F
GND	1	←	1	1	GND

CP2301	24	FOCS RTN
23	FOCS DRV	
22	TRKG RIN	
21	TRKG DRV	
20	NC	
19	GND	
18	LD_DVD(650)	
17	PD/GND	
16	LD_CD(780)	
15	GND	
14	VR780(CD)	
13	VRCOM	
12	VR650(DVD)	
11	A	
10	B	
9	VRV(RF_OUT)	
8	SW1(DVD/CD)	
7	C	
6	D	
5	E	
4	VCC	
3	VS	
2	F	
1	GND	

C

D SW PCB ASSY (A2F101A640)

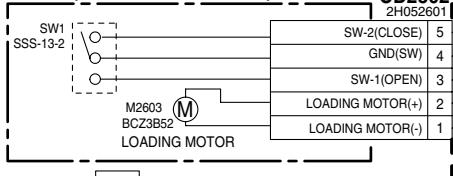


CD2301	2H062102	6	FFC	1
5	SPINDLE MOTOR (+)	2	SPINDLE MOTOR (-)	3
4	FEED MOTOR (+)	4	FEED MOTOR (-)	5
3	PICK UP INNER LIMIT SWITCH	6	GND(SW)	1

CP2303	1	SP1+
2	SP1-	
3	SLD+	
4	SLD-	
5	LIMIT SW	
6	SW(GND)	

D

E LOADING MOTOR PCB ASSY (A2F101A610)



CD2302	2H052601	5	SW-2(CLOSE)	4	GND(SW)	3	SW-1(OPEN)	2	LOADING MOTOR(+)	1	LOADING MOTOR(-)
--------	----------	---	-------------	---	---------	---	------------	---	------------------	---	------------------

CP2302	1	CLOSE
2	GND(D)	
3	OPEN	
4	LD+	
5	LD-	

E

FG SENSER

CP4002
069EVB3030

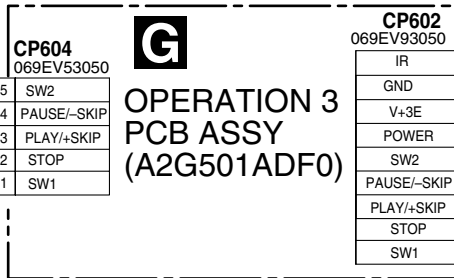
1	2	3	4	5	6	7	8	9	10	11
CLK	DI (M to F)	STB	DO (F to M)	IR	V+3E	DGND	DGND	FLDC+	-28V	FLDC-

F



CP605	069EV53050	5	SW2	4	PAUSE/-SKIP	3	PLAY/+SKIP	2	STOP	1	SW1
-------	------------	---	-----	---	-------------	---	------------	---	------	---	-----

CD604(5P FFC)
122H051001



CP602	069EV93050	1	IR	2	GND	3	V+3E	4	POWER	5	SW2	6	PAUSE/-SKIP	7	PLAY/+SKIP	8	STOP	9	SW1
-------	------------	---	----	---	-----	---	------	---	-------	---	-----	---	-------------	---	------------	---	------	---	-----

CD602(9P FFC)
122H092801


CP603	069EV93050	9	IR	8	GND	7	V+3E	6	POWER	5	SW2	4	PAUSE/-SKIP	3	PLAY/+SKIP	2	STOP	1	SW1
-------	------------	---	----	---	-----	---	------	---	-------	---	-----	---	-------------	---	------------	---	------	---	-----

CD601(11P FFC)
122H0B1002

B OPERATION PCB ASSY (A2G501A270)

CP601
069EVB3050

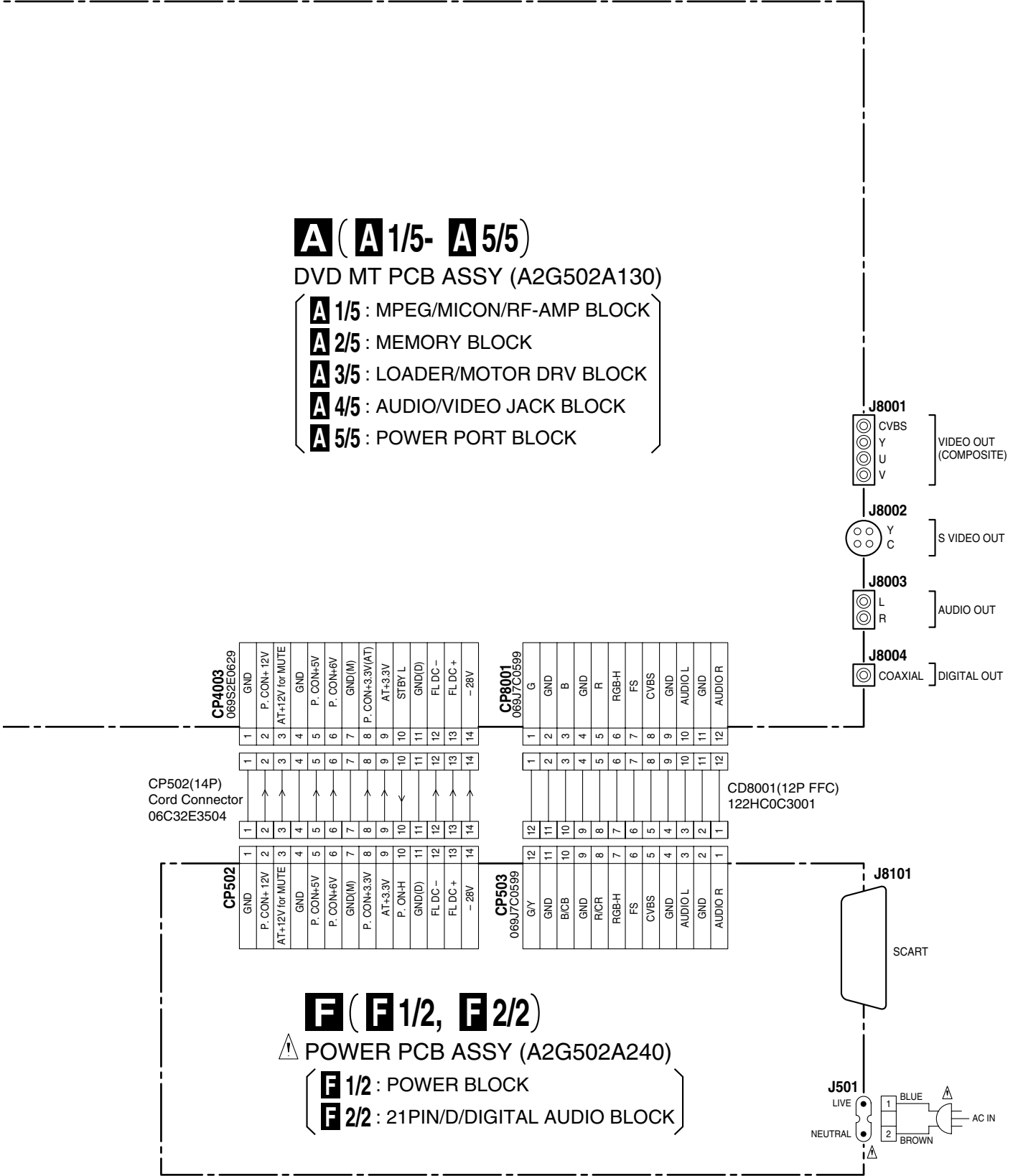
D E

- When ordering service parts, be sure to refer to "EXPLODED VIEWS and PARTS LIST" or "PCB PARTS LIST".
- The Δ mark found on some component parts indicates the importance of the safety factor of the part. Therefore, when replacing, be sure to use parts of identical designation.
-  : The power supply is shown with the marked box.

A (A 1/5- A 5/5)

DVD MT PCB ASSY (A2G502A130)

- A 1/5** : MPEG/MICON/RF-AMP BLOCK
- A 2/5** : MEMORY BLOCK
- A 3/5** : LOADER/MOTOR DRV BLOCK
- A 4/5** : AUDIO/VIDEO JACK BLOCK
- A 5/5** : POWER PORT BLOCK

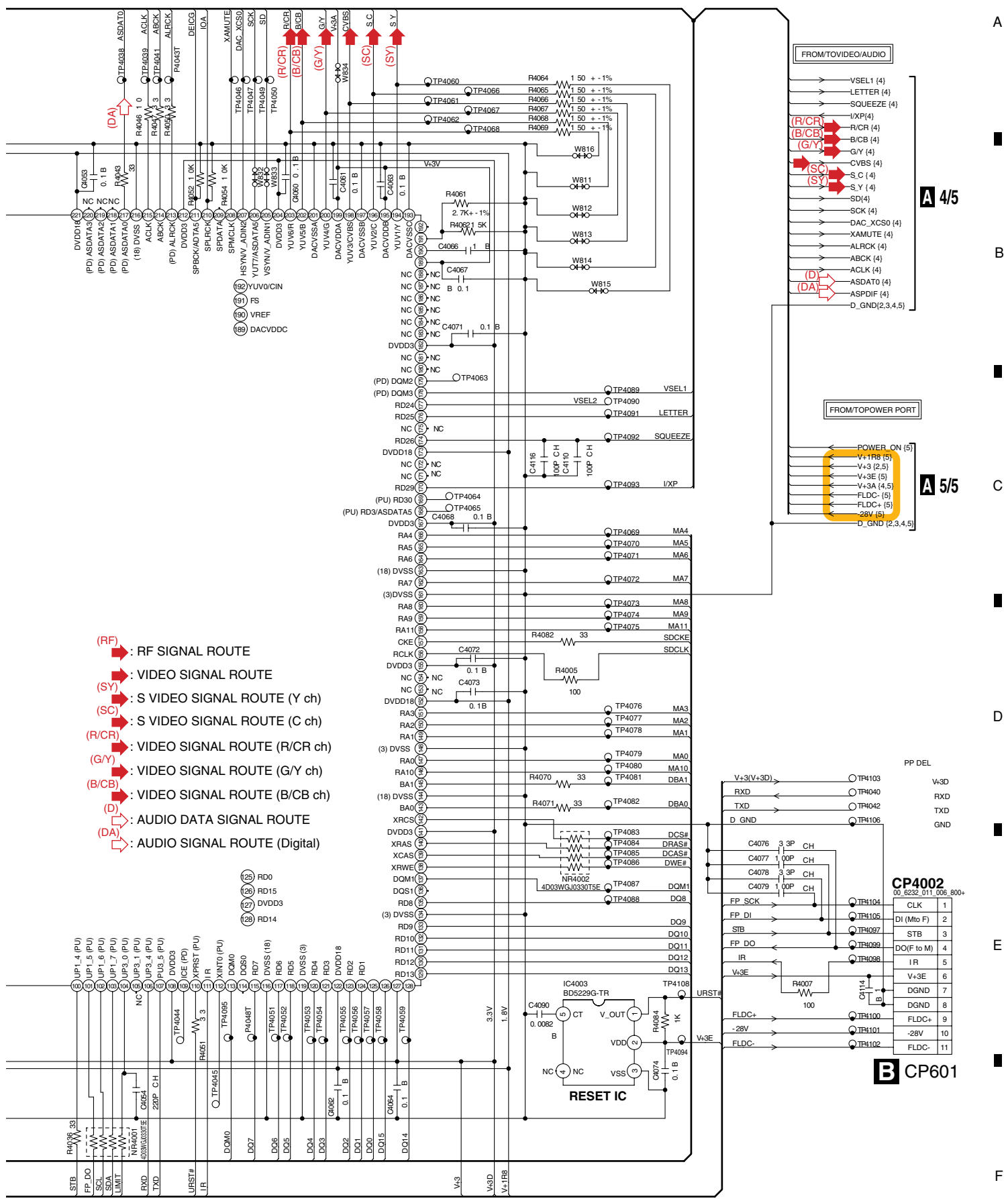


F (F 1/2, F 2/2)

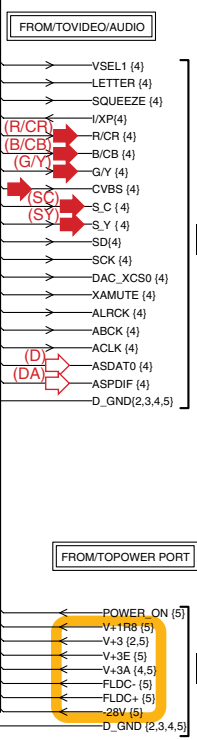
Δ **POWER PCB ASSY (A2G502A240)**

- F 1/2** : POWER BLOCK
- F 2/2** : 21PIN/D/DIGITAL AUDIO BLOCK

A
B
C
D
E
F



- (RF) : RF SIGNAL ROUTE
- (SY) : VIDEO SIGNAL ROUTE
- (SC) : S VIDEO SIGNAL ROUTE (Y ch)
- (R/CR) : VIDEO SIGNAL ROUTE (R/CR ch)
- (G/Y) : VIDEO SIGNAL ROUTE (G/Y ch)
- (B/CB) : VIDEO SIGNAL ROUTE (B/CB ch)
- (D) : AUDIO DATA SIGNAL ROUTE
- (DA) : AUDIO SIGNAL ROUTE (Digital)



A 4/5

A 5/5

CP4002

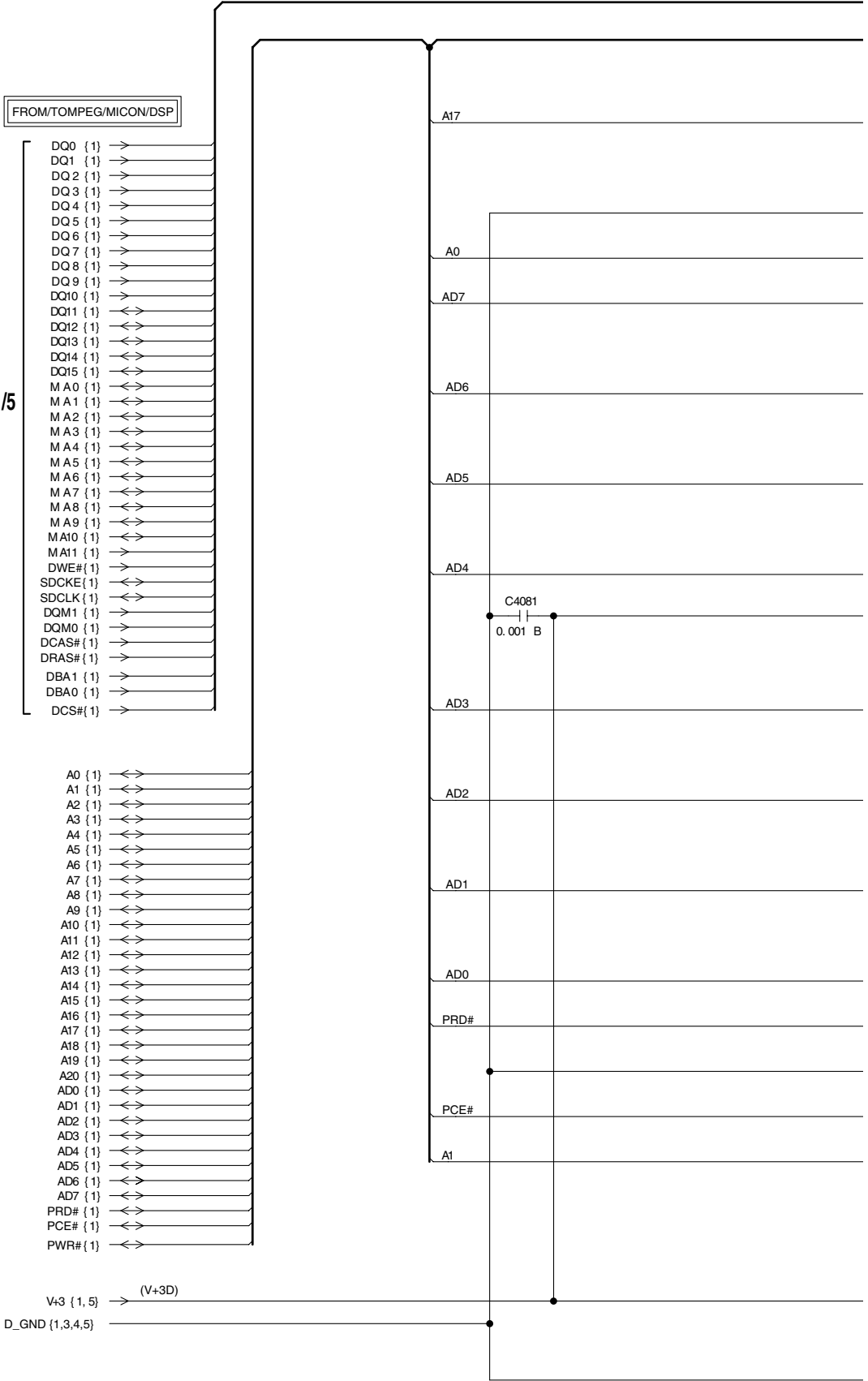
B CP601

A 1/5

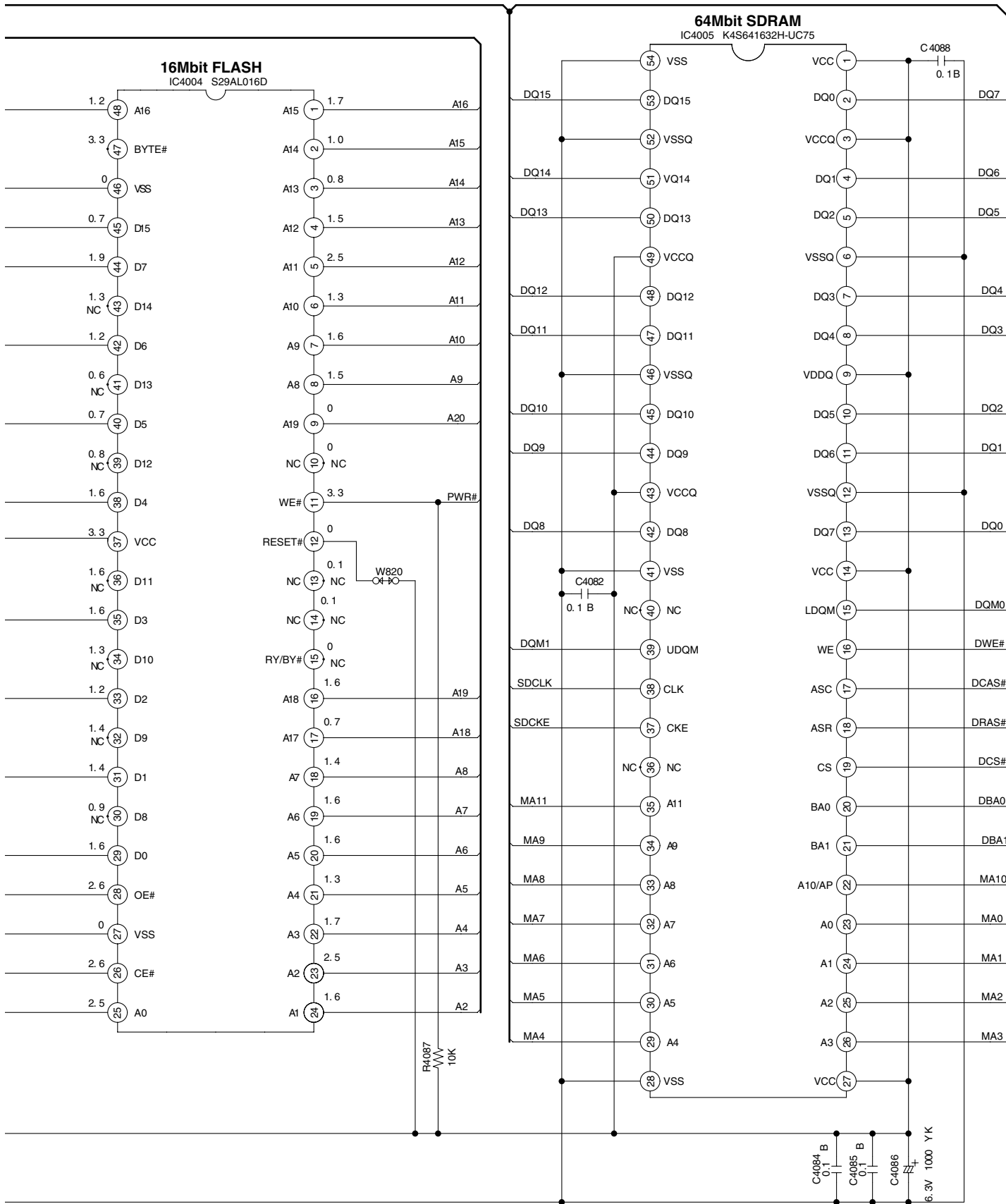
3.4 DVD MT PCB (2/5) ASSY

A 2/5 DVD MT PCB ASSY (A2G502A130) ● MEMORY BLOCK

A
B
C
D
E
F



A 2/5



3.5 DVD MT PCB (3/5) ASSY

A 3/5 DVD MT PCB ASSY (A2G502A130) ● LOADER/MOTOR DRV BLOCK

A

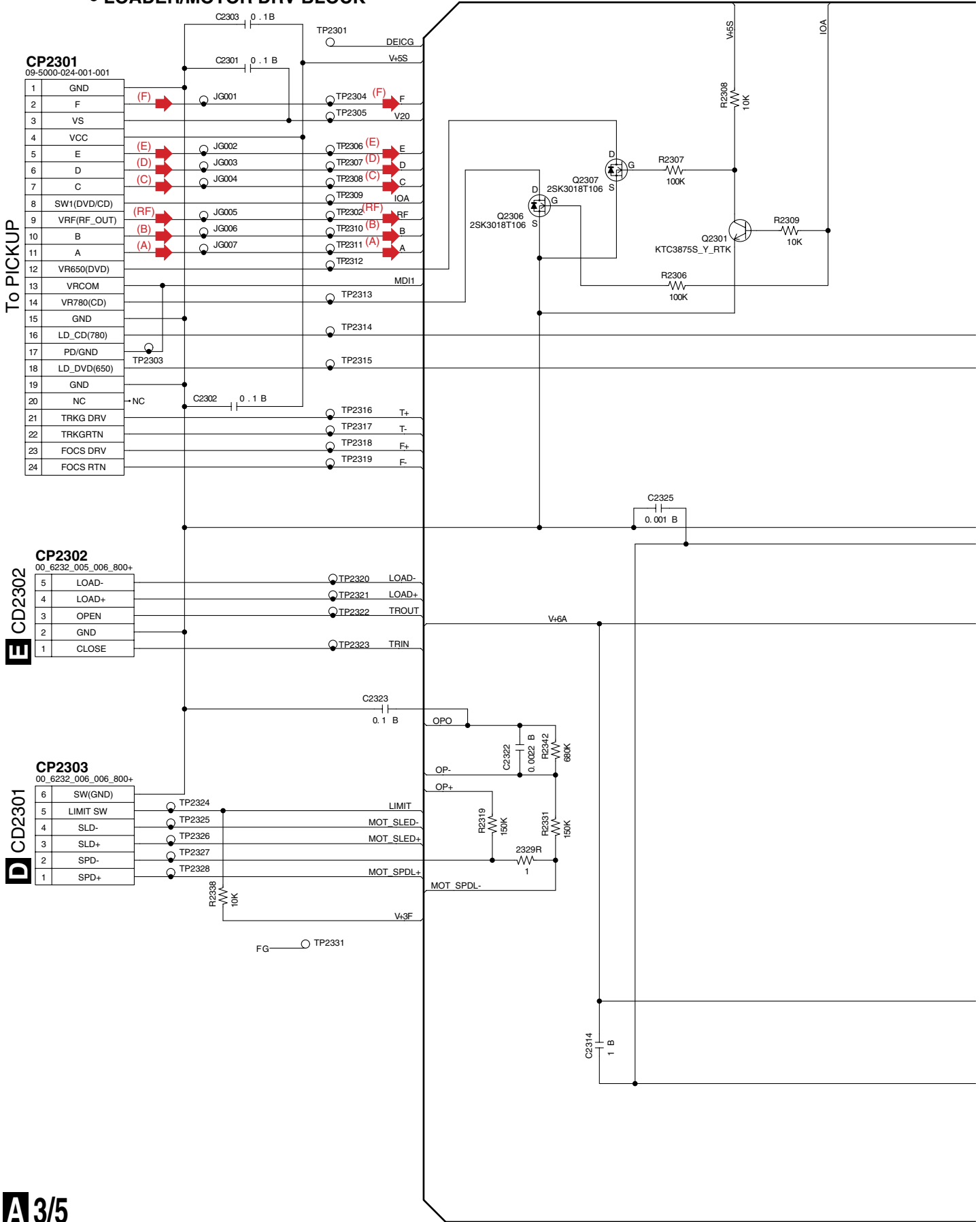
B

C

D

E

F



CP2301
09-5000-024-001-001

1	GND
2	F
3	VS
4	VCC
5	E
6	D
7	C
8	SW1(DVD/CD)
9	VRF(RF_OUT)
10	B
11	A
12	VR650(DVD)
13	VRCOM
14	VR780(CD)
15	GND
16	LD_CD(780)
17	PD/GND
18	LD_DVD(650)
19	GND
20	NC
21	TRKG DRV
22	TRKGRTN
23	FOCS DRV
24	FOCS RTN

CP2302
00_6232_005_006_800+

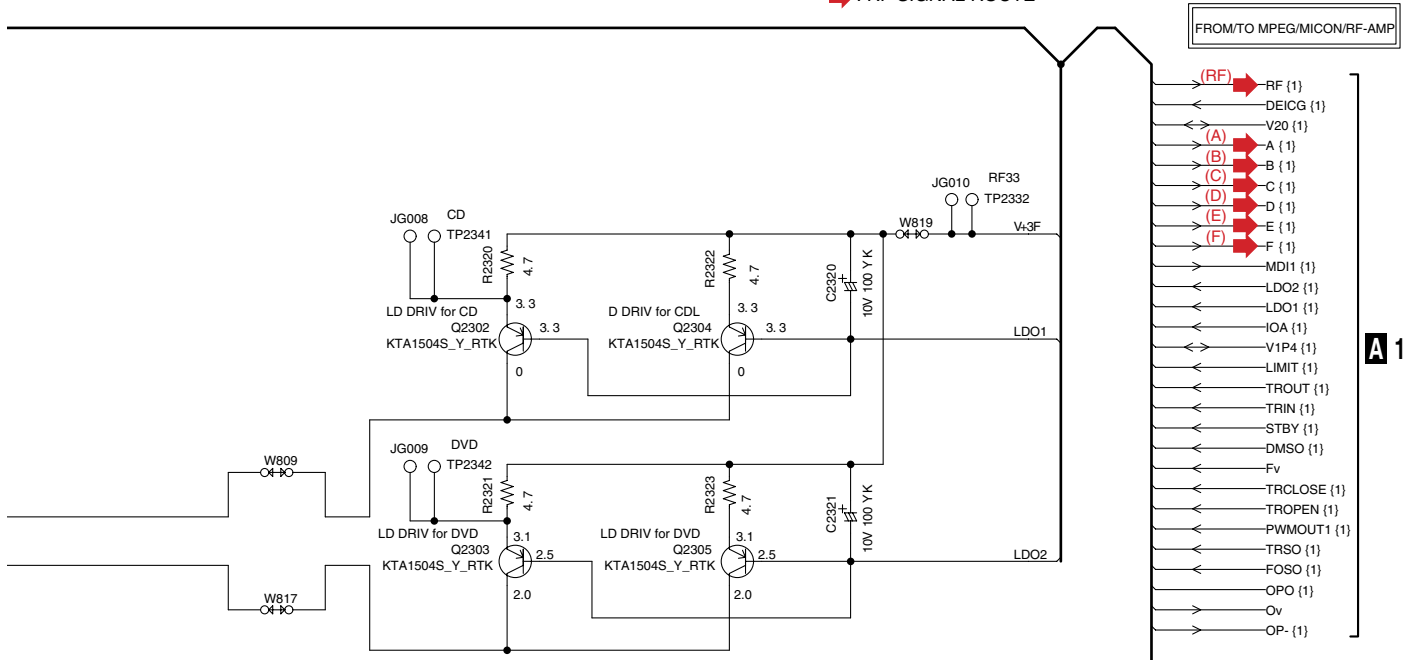
5	LOAD-
4	LOAD+
3	OPEN
2	GND
1	CLOSE

CP2303
00_6232_006_006_800+

6	SW(GND)
5	LIMIT SW
4	SLD-
3	SLD+
2	SPD-
1	SPD+

To PICKUP

(RF) → : RF SIGNAL ROUTE



FROM/TO MPEG/MICON/RF-AMP

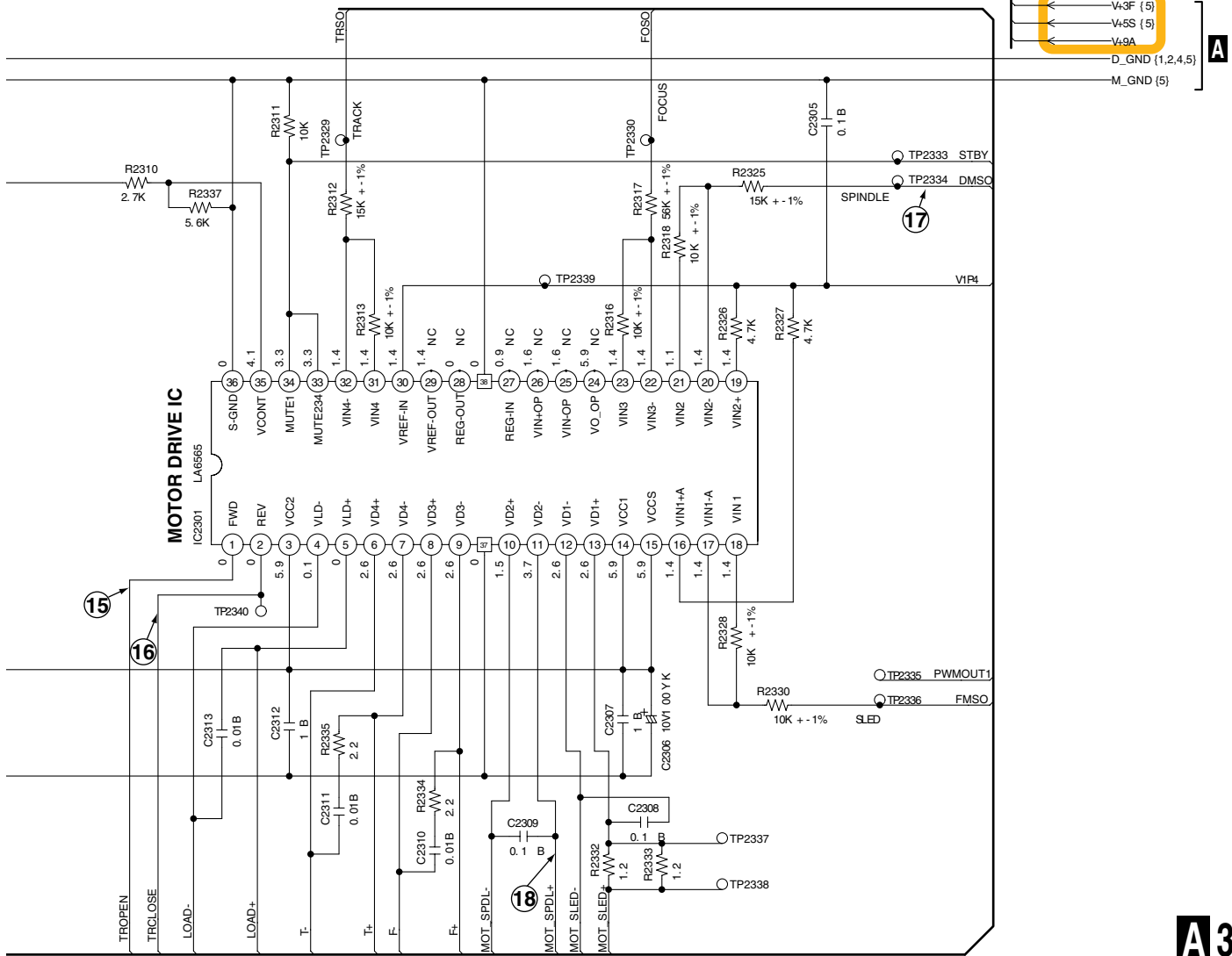
- (RF) RF (1)
- ← DEICG (1)
- ← V20 (1)
- ← (A) A (1)
- ← (B) B (1)
- ← (C) C (1)
- ← (D) D (1)
- ← (E) E (1)
- ← (F) F (1)
- ← MDI1 (1)
- ← LDO2 (1)
- ← LDO1 (1)
- ← IOA (1)
- ← V1P4 (1)
- ← LIMIT (1)
- ← TROUT (1)
- ← TRIN (1)
- ← STBY (1)
- ← DMSO (1)
- ← Fv
- ← TRCLOSE (1)
- ← TROPEN (1)
- ← PWMOUT1 (1)
- ← TRSO (1)
- ← FOSO (1)
- ← OPO (1)
- ← Ov
- ← OP- (1)

A 1/5

FROM/TO POWER PORT

- ← V1-3F (5)
- ← V1-5S (5)
- ← V1-9A
- ← D_GND (1,2,4,5)
- ← M_GND (5)

A 5/5



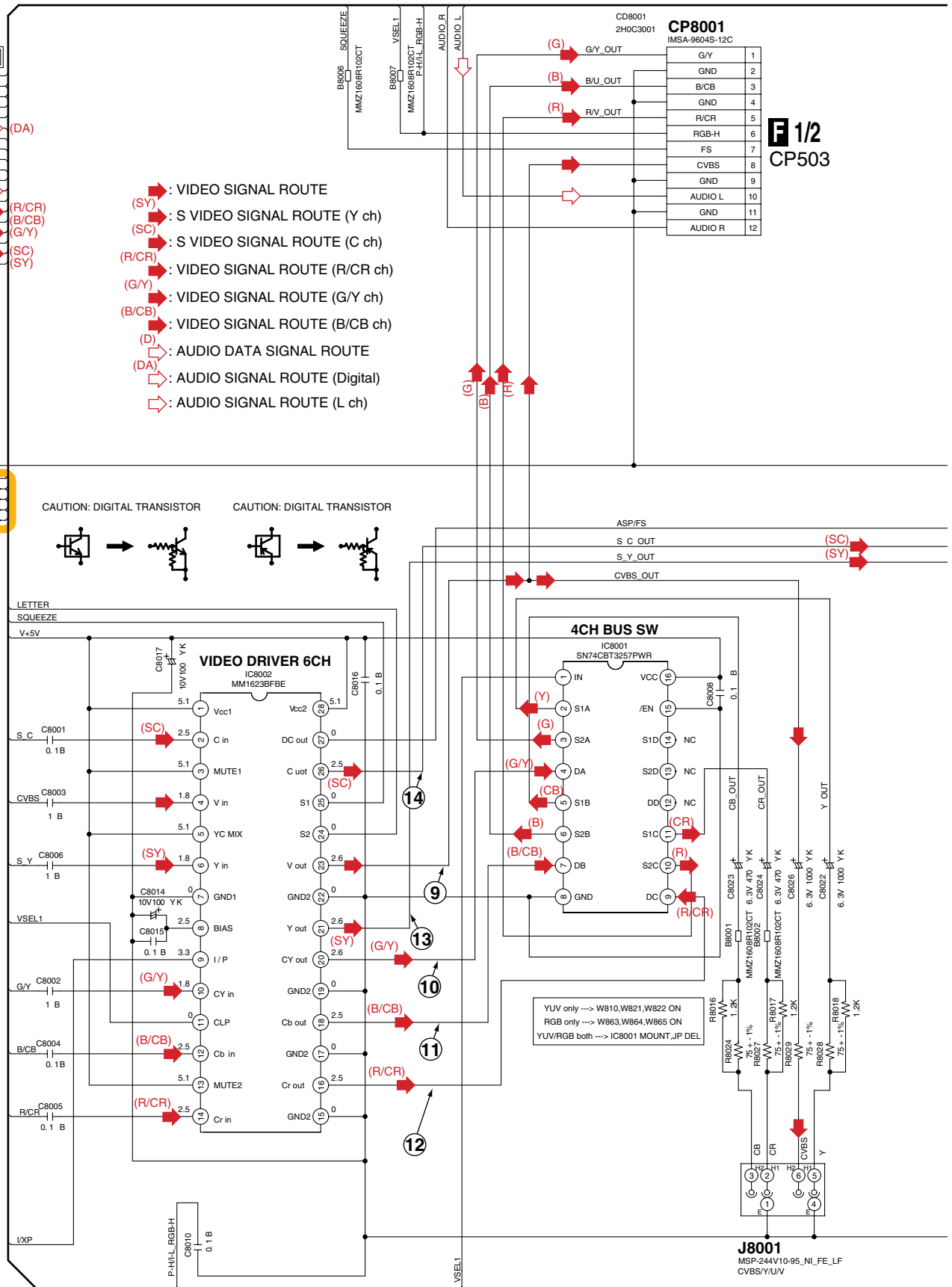
MOTOR DRIVE IC
LA6565

A 3/5

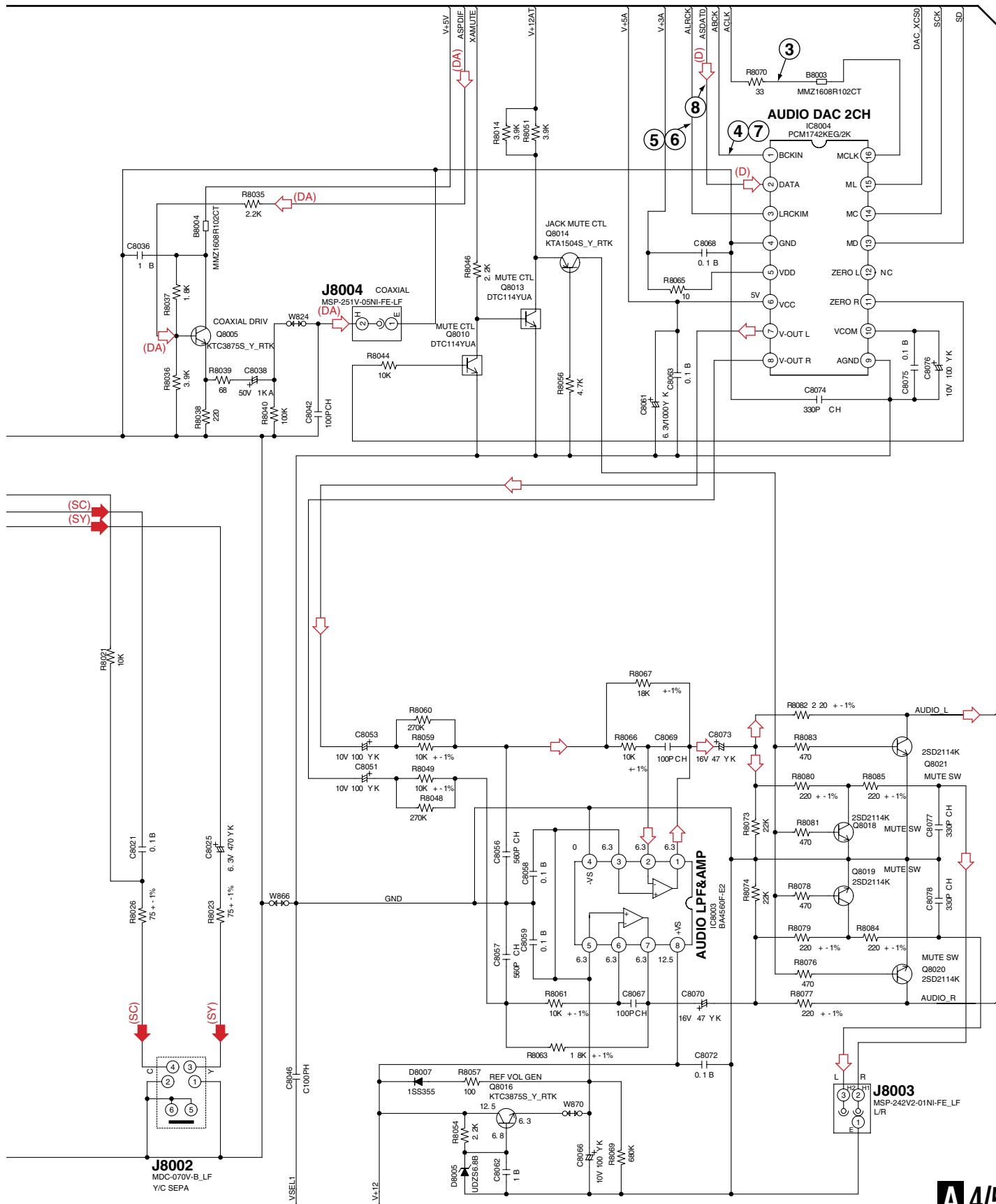
3.6 DVD MT PCB (4/5) ASSY

A 4/5 DVD MT PCB ASSY (A2G502A130) ● AUDIO/VIDEO JACK BLOCK

A
B
C
D
E
F



NOTE : THE DC VOLTAGE EACH PART WAS MEASURED WITH THE DIGITAL TESTER DURING PLAYBACK.



A
B
C
D
E
F

3.7 DVD MT PCB (5/5) ASSY

A 5/5 DVD MT PCB ASSY (A2G502A130) ● POWER PORT BLOCK

B

C

D

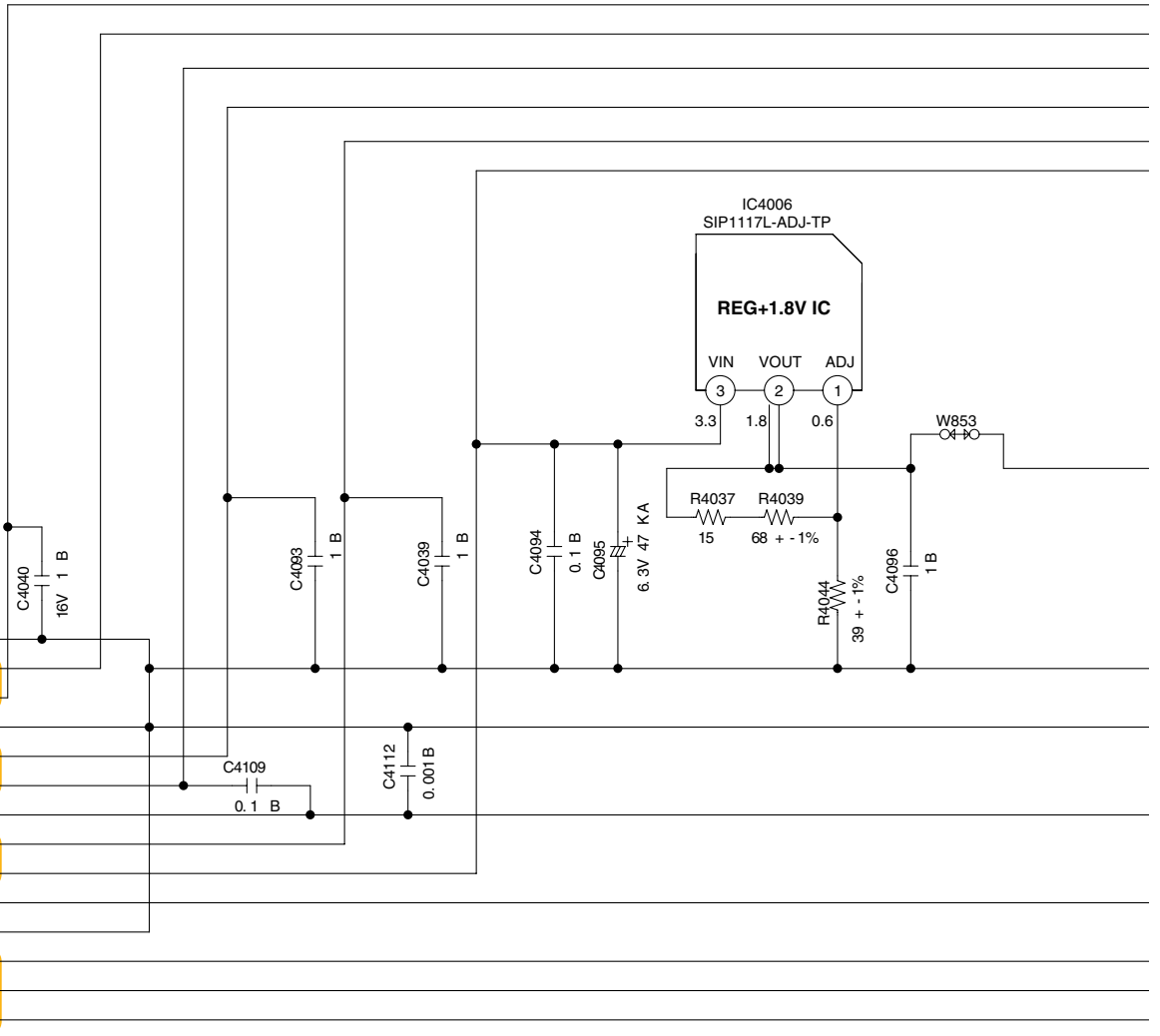
E

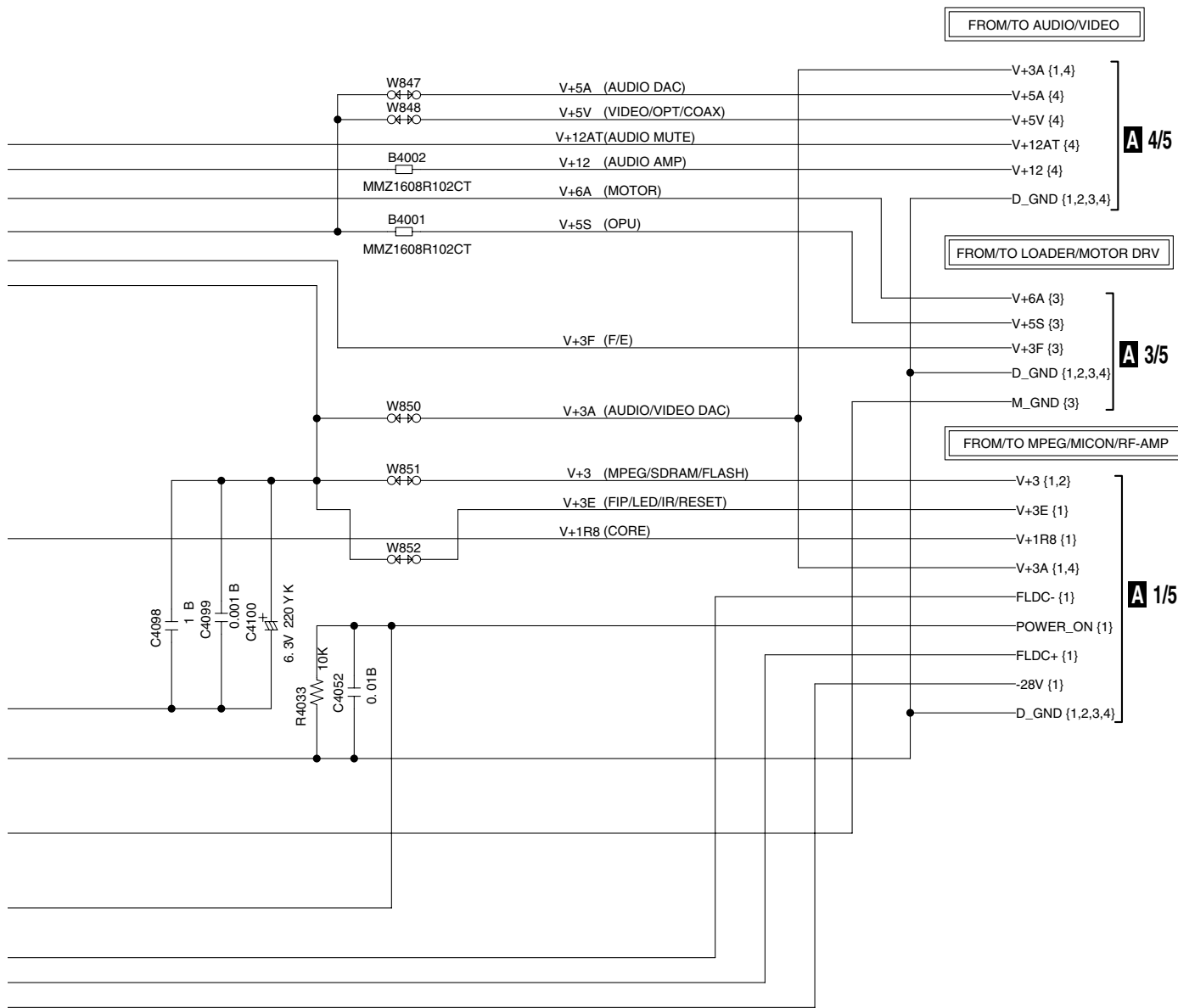
F

CP4003
A2001WV2-14P

1	GND
2	P.CON+12V
3	AT+12V for MUTE
4	GND
5	P.CON+5V
6	P.CON+6V
7	GND(M)
8	P.CON+3.3V(AT)
9	AT+3.3V
10	STBY L
11	GND(D)
12	FL DC-
13	FL DC+
14	-28V

F 1/2 CP502





NOTE : THE DC VOLTAGE EACH PART WAS MEASURED WITH THE DIGITAL TESTER DURING PLAYBACK.

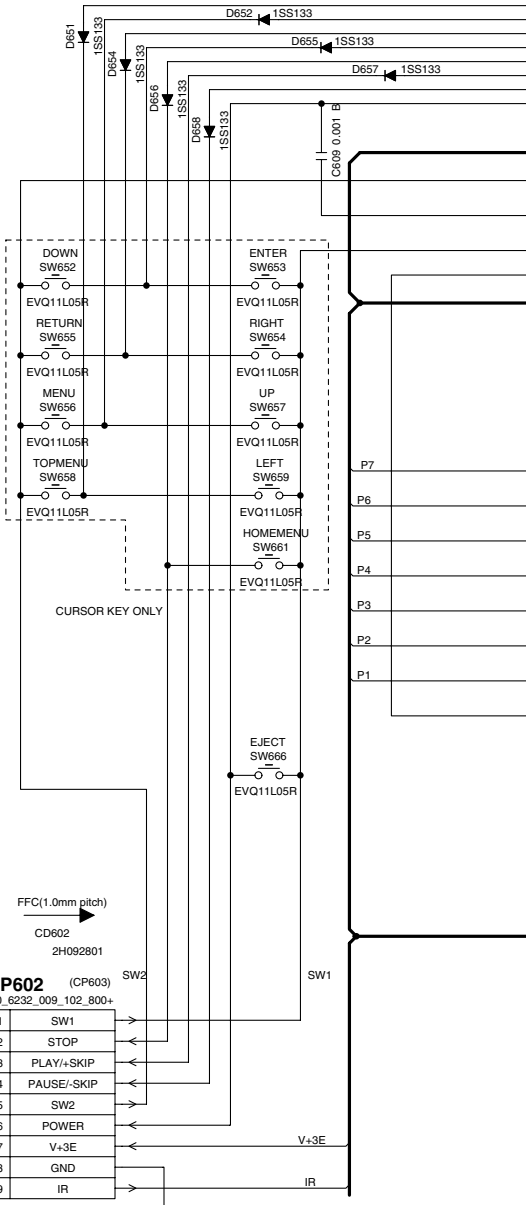
3.8 OPERATION, OPERATION 2 and OPERATION 3 PCB ASSYS

A
B
C
D
E
F

OPERATION PCB ASSY

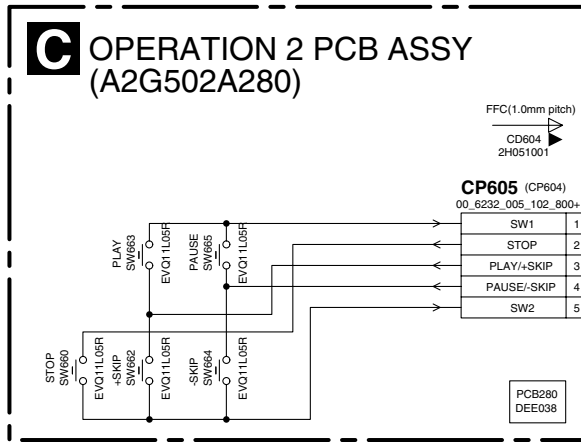
- SW652 : DOWN
- SW653 : ENTER
- SW654 : RIGHT
- SW655 : RETURN
- SW656 : MENU
- SW657 : UP
- SW658 : TOPMENU
- SW659 : LEFT
- SW661 : HOMEMENU

B OPERATION PCB ASSY (A2G501A270)

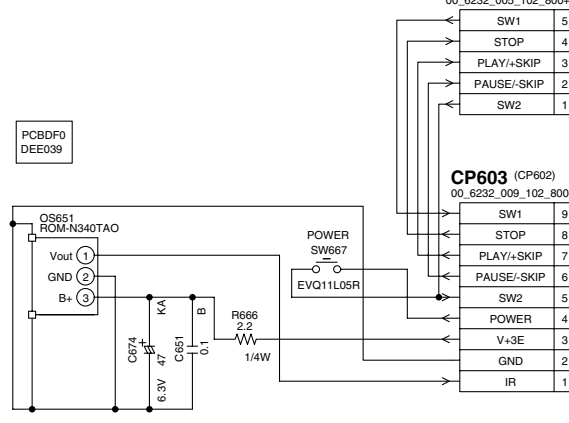


C OPERATION 2 PCB ASSY (A2G502A280)

- ### OPERATION 2 PCB ASSY
- SW660 : STOP
 - SW662 : +SKIP
 - SW664 : -SKIP
 - SW663 : PLAY
 - SW665 : PAUSE

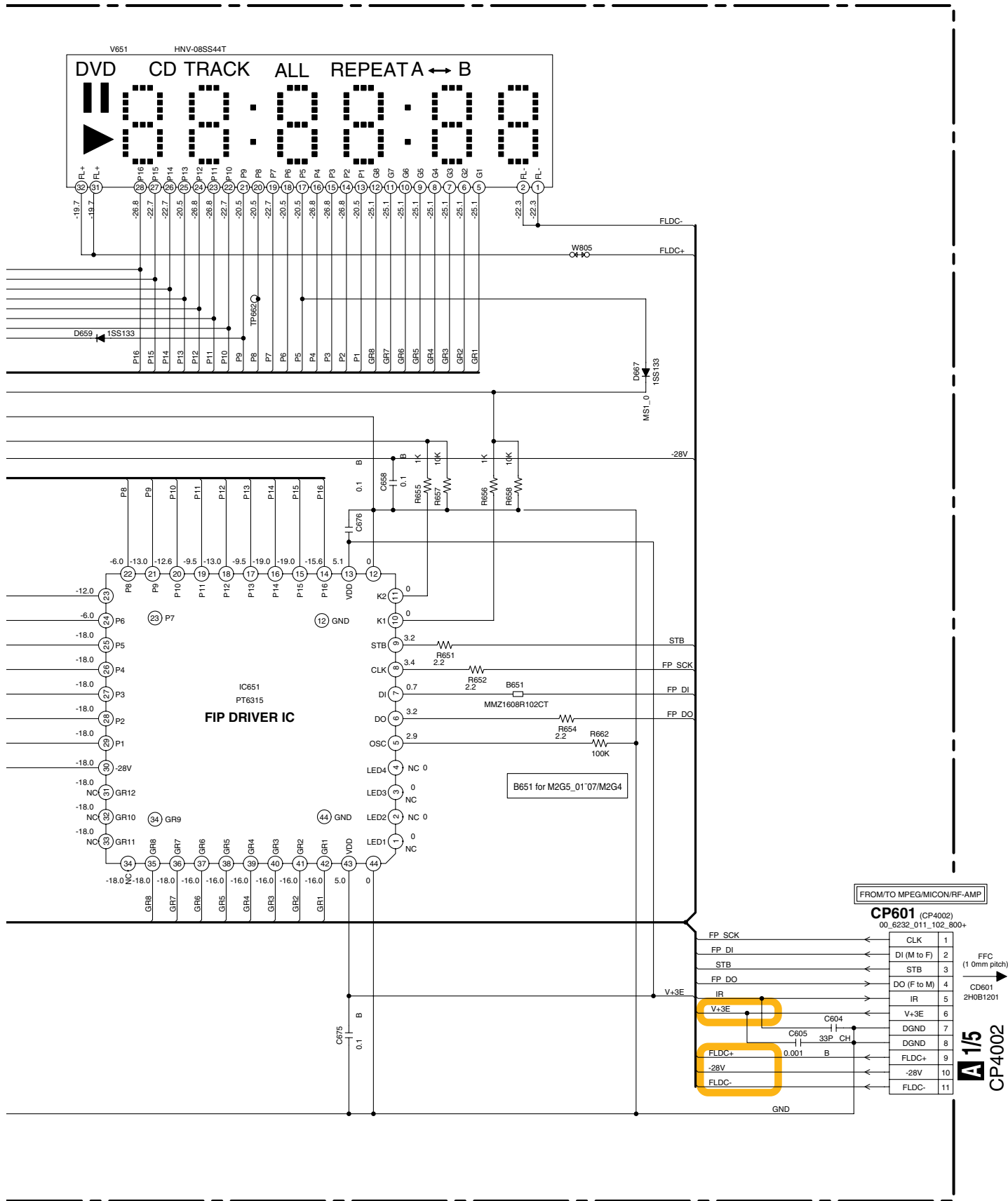


G OPERATION 3 PCB ASSY (A2G501ADF0)



- ### OPERATION 3 PCB ASSY
- SW667 : POWER

B C G



NOTE : THE DC VOLTAGE EACH PART WAS MEASURED WITH THE DIGITAL TESTER DURING PLAYBACK.

NOTE : THIS SCHEMATIC DIAGRAM IS THE LATEST AT THE TIME OF PRINTING AND SUBJECT TO CHANGE WITHOUT NOTICE.

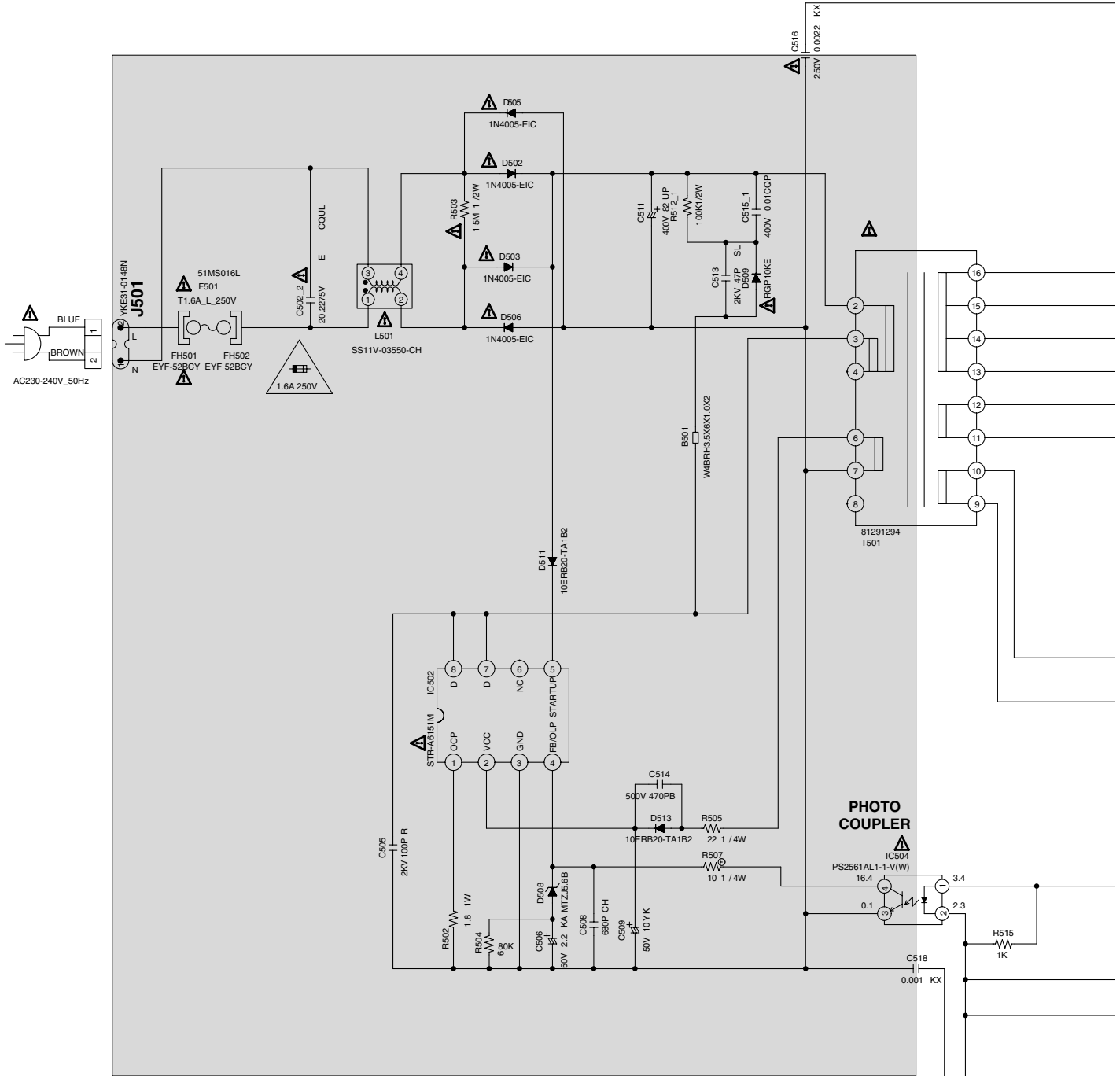
3.9 POWER PCB (1/2) ASSY

F1/2 POWER PCB ASSY (A2G502A240)

• POWER BLOCK

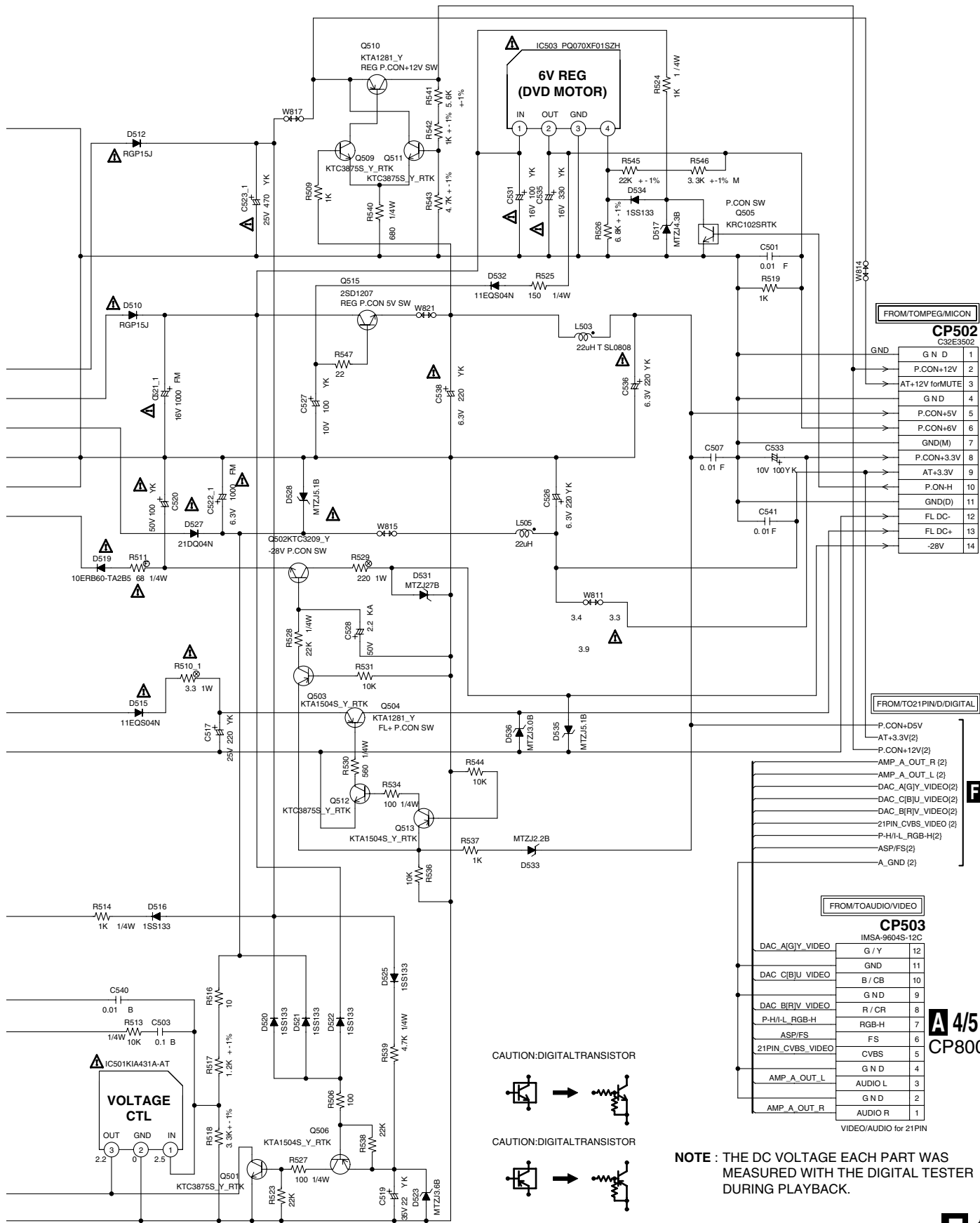


• POWER BLOCK



• NOTE FOR FUSE REPLACEMENT

CAUTION -FOR CONTINUED PROTECTION AGAINST RISK OF FIRE. REPLACE WITH SAME TYPE AND RATINGS OF FUSE.



FROM/TOMPEG/MICON

CP502	
C32E3502	
GND	1
P.CON+12V	2
AT+12V forMUTE	3
GND	4
P.CON+5V	5
P.CON+6V	6
GND(M)	7
P.CON+3.3V	8
AT+3.3V	9
P.ON+H	10
GND(D)	11
FL DC-	12
FL DC+	13
-28V	14

FROM/TO21PIN/DIGITAL

P.CON+5V	
AT+3.3V(2)	
P.CON+12V(2)	
AMP_A_OUT_R (2)	
AMP_A_OUT_L (2)	
DAC_A(GY_VIDEO)(2)	
DAC_C(BJU_VIDEO)(2)	
DAC_B(RIV_VIDEO)(2)	
21PIN_CVBS_VIDEO (2)	
P-H/L_RGB-H(2)	
ASP/FS(2)	
A_GND (2)	

FROM/TOAUDIO/VIDEO

CP503		
IMS A-9604S-12C		
DAC_A(GY_VIDEO)	G/Y	12
GND	GND	11
DAC_C(BJU_VIDEO)	B/CB	10
GND	GND	9
DAC_B(RIV_VIDEO)	R/CR	8
P-H/L_RGB-H	RGB-H	7
ASP/FS	FS	6
21PIN_CVBS_VIDEO	CVBS	5
GND	GND	4
AMP_A_OUT_L	AUDIO L	3
GND	GND	2
AMP_A_OUT_R	AUDIO R	1

VIDEO/AUDIO for 21PIN

CAUTION: DIGITAL TRANSISTOR



CAUTION: DIGITAL TRANSISTOR



NOTE: THE DC VOLTAGE EACH PART WAS MEASURED WITH THE DIGITAL TESTER DURING PLAYBACK.

A 5/5 CP4003

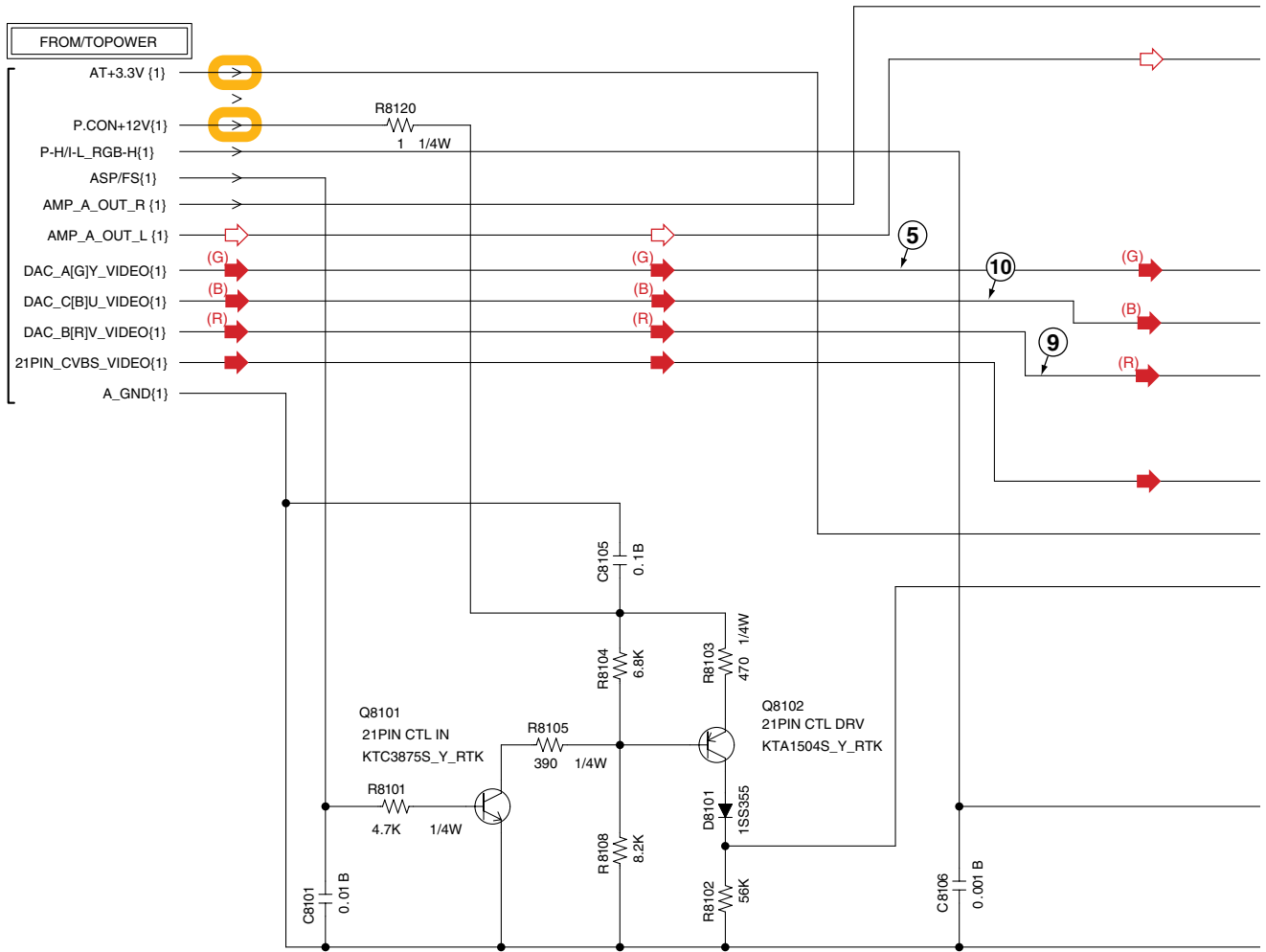
F 2/2

A 4/5 CP8001

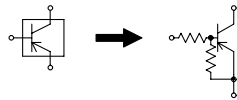
F 1/2

3.10 POWER PCB (2/2) ASSY

F 2/2  POWER PCB ASSY (A2G502A240)
 • 21PIN/D/DIGITAL AUDIO BLOCK



CAUTION : DIGITALTRANSISTOR

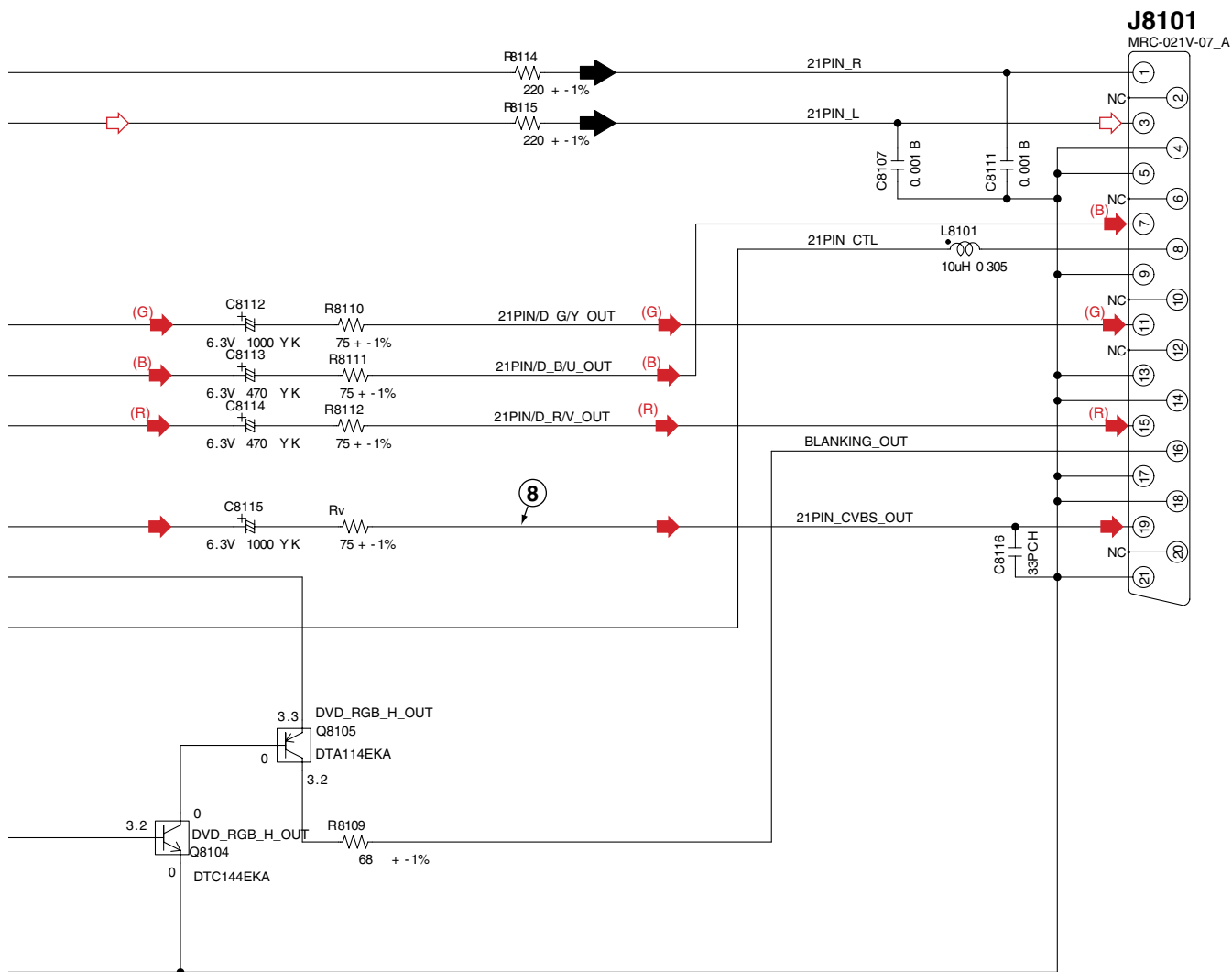


CAUTION : DIGITALTRANSISTOR



F 2/2

- ➡ : VIDEO SIGNAL ROUTE
- (R) ➡ : VIDEO SIGNAL ROUTE (R ch)
- (G) ➡ : VIDEO SIGNAL ROUTE (G ch)
- (B) ➡ : VIDEO SIGNAL ROUTE (B ch)
- ⬅ : AUDIO SIGNAL ROUTE (L ch)



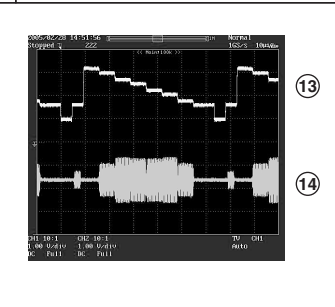
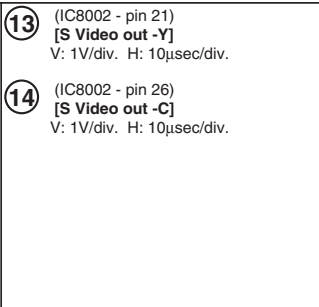
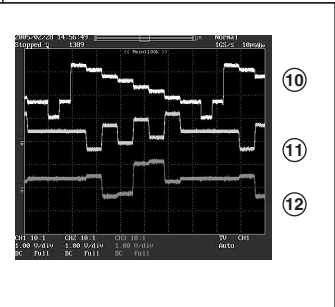
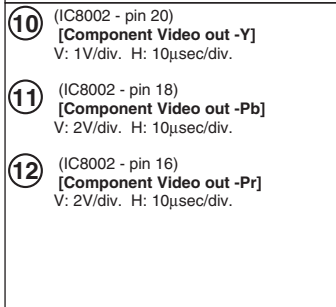
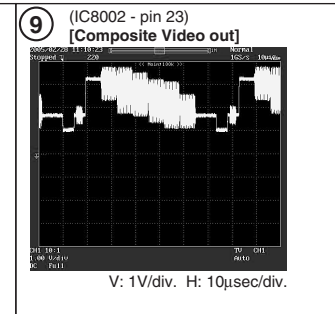
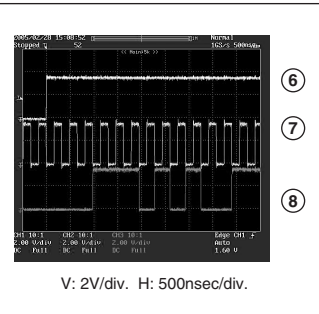
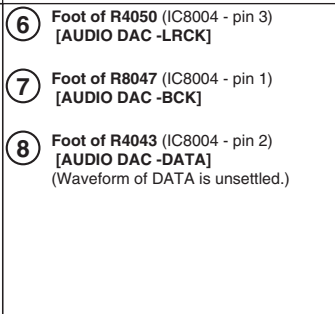
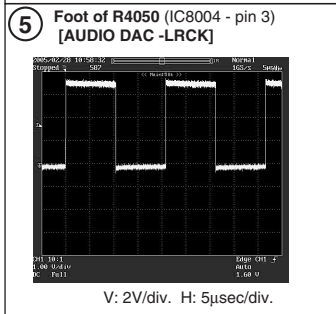
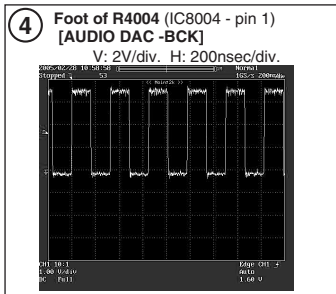
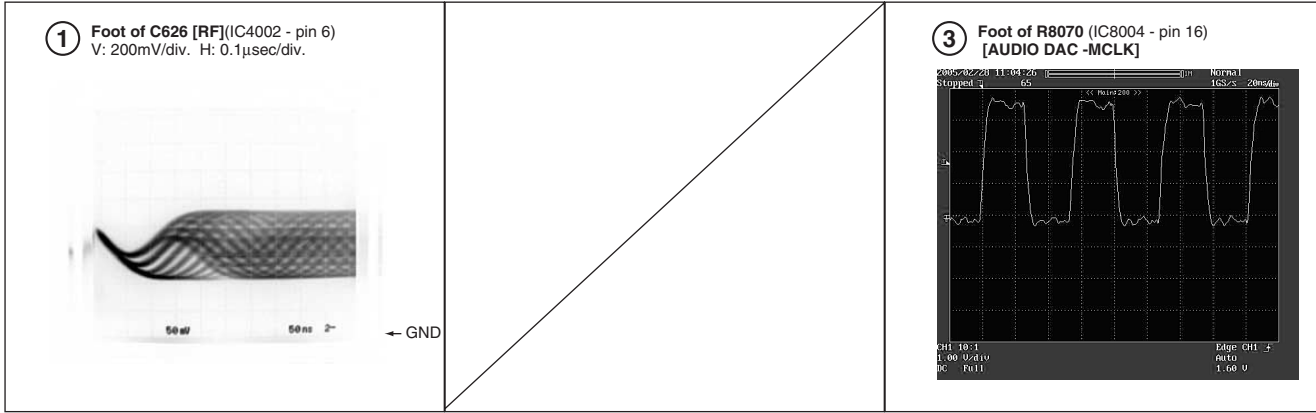
NOTE : THE DC VOLTAGE EACH PART WAS MEASURED WITH THE DIGITAL TESTER DURING PLAYBACK.

3.11 WAVEFORMS

Note : The encircled numbers denote measuring point in the schematic diagram.

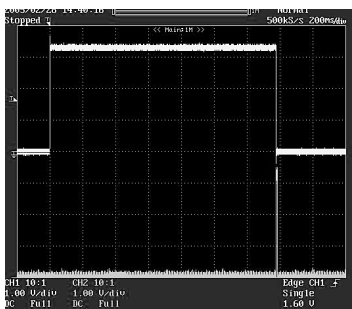
Measurement condition : No. 1 to 2 and 9 to 14 : reference A1 (DVD), T2-chp 19, Color-bar
 No. 3 to 8 : reference A1 (DVD), T2-chp 1

A DVD MT PCB ASSY



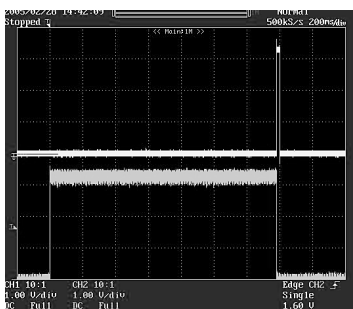
A DVD MT PCB ASSY

15 Foot of R4026(IC2301 - pin 1) [TROPEN]
[Tray is Open]



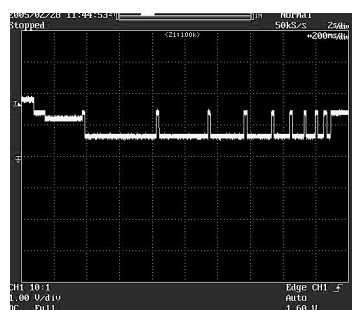
V: 1V/div. H: 5μsec/div.

16 Foot of R4002(IC2301 - pin 2) [TRCLOSE]
[Tray is closing]



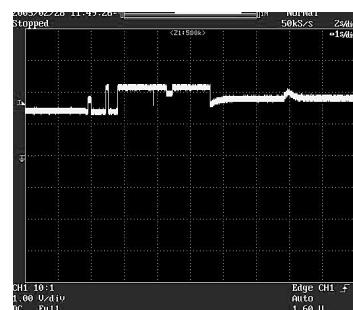
V: 1V/div. H: 5μsec/div.

17 Foot of R618 (IC4002 - pin 37) [DMSO]
[DMSO_OPEN]



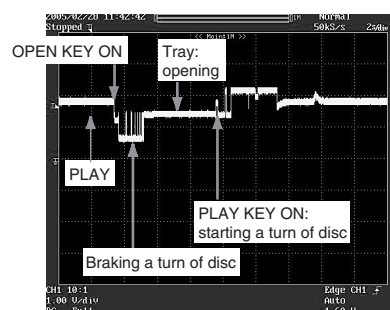
V: 1V/div. H: 10μsec/div.

[DMSO_PLAY]



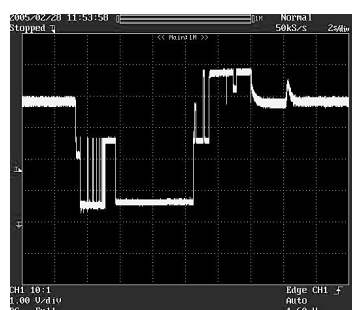
V: 1V/div. H: 10μsec/div.

[DMS-3]



V: 1V/div. H: 2sec/div.

18 CN2303 - pin 1
(IC2301 - pin 11)
[MOT_SPDL+]



V: 2V/div. H: 2msec/div.

1

2

3

4

A

B

C

D

E

F

4. PCB CONNECTION DIAGRAM

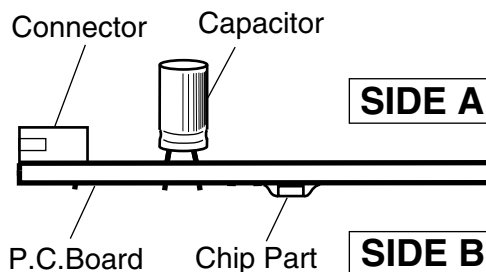
4.1 LOADING and SW PCB ASSYS

NOTE FOR PCB DIAGRAMS :

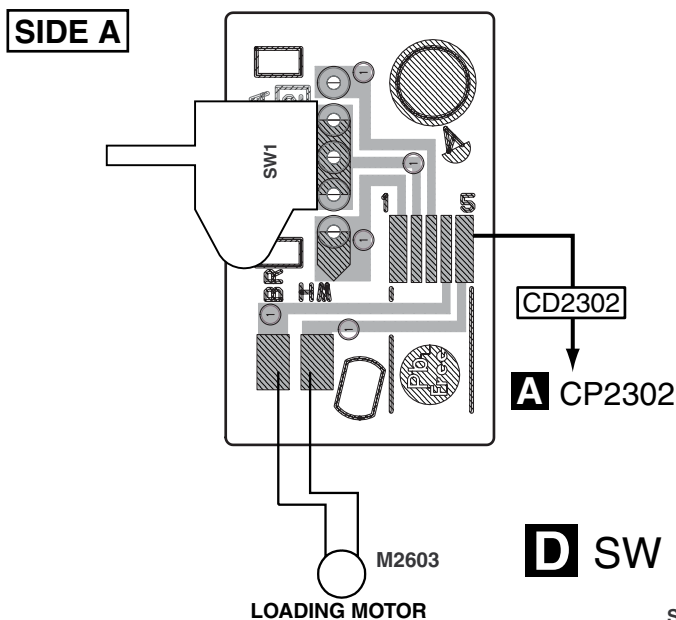
1. Part numbers in PCB diagrams match those in the schematic diagrams.
2. A comparison between the main parts of PCB and schematic diagrams is shown below.

Symbol In PCB Diagrams	Symbol In Schematic Diagrams	Part Name
		Transistor
		Transistor with resistor
		Field effect transistor
		Resistor array
		3-terminal regulator

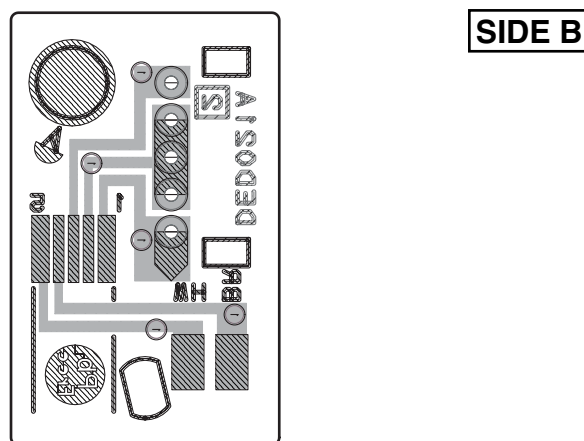
3. The parts mounted on this PCB include all necessary parts for several destinations.
For further information for respective destinations, be sure to check with the schematic diagram.
4. View point of PCB diagrams.



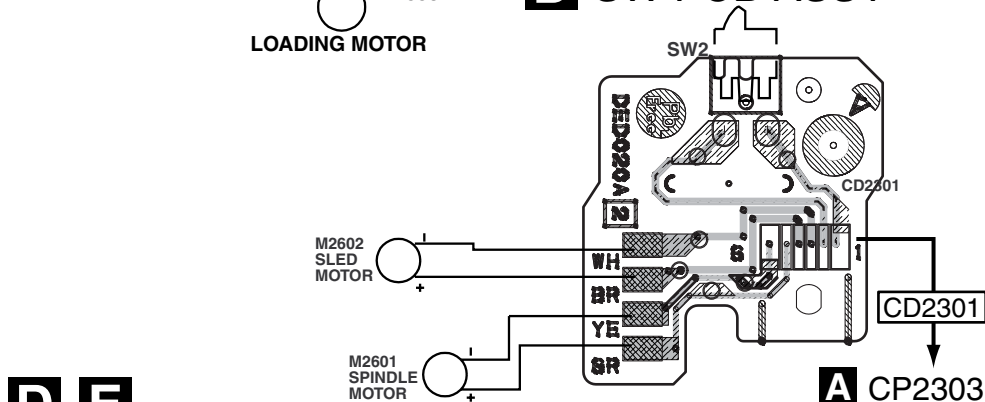
E LOADING MOTOR PCB ASSY (INSERTED PARTS)



E LOADING MOTOR PCB ASSY (CHIP MOUNTED PARTS)



D SW PCB ASSY



D E

D E

F CP502

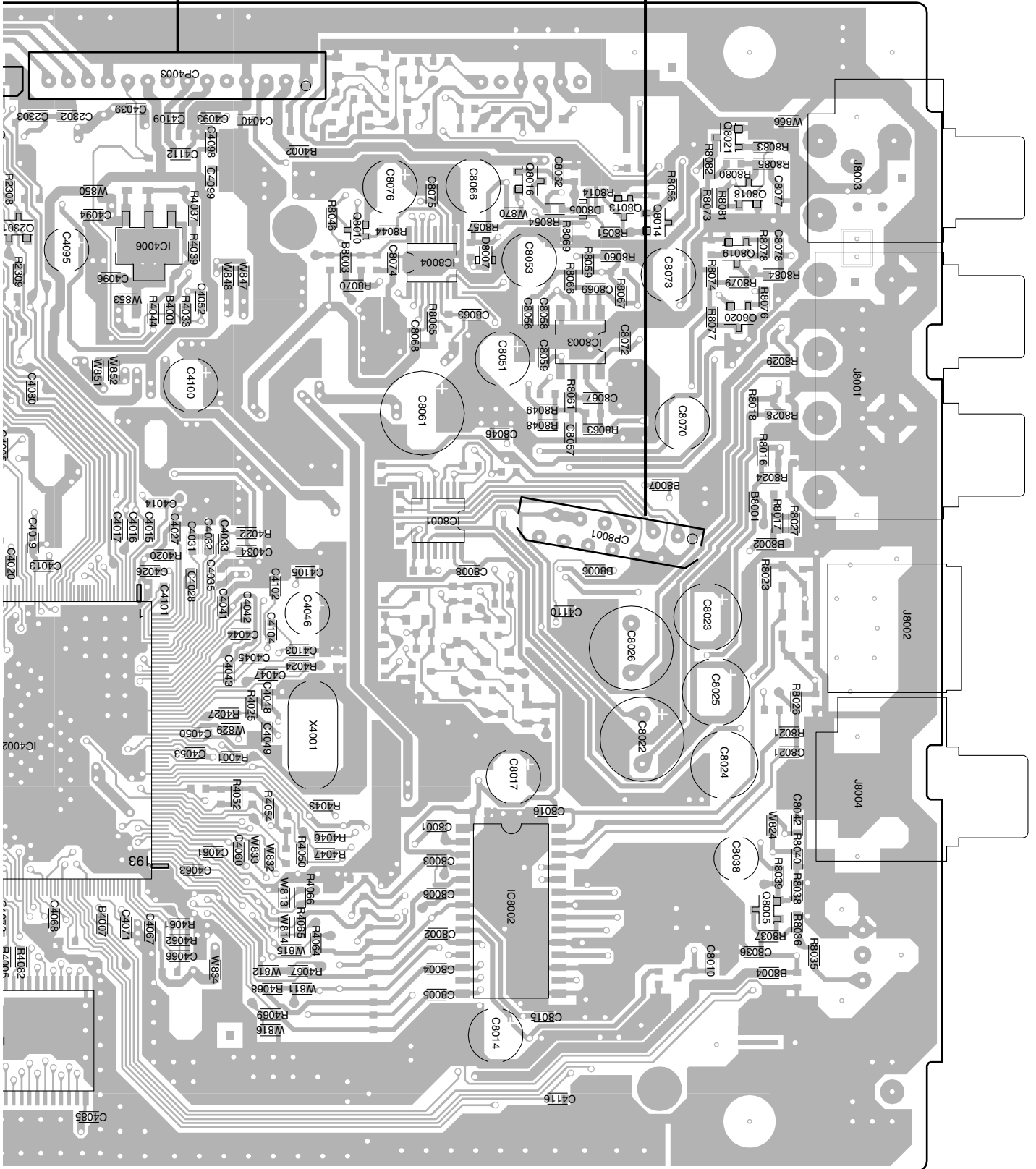
F CP503

SIDE A

A

CP4003

CP8001



B

C

D

E

F

Q2303
Q2301
C4002

IC4006

Q8010

IC8004
IC8001

IC8002

Q8016
Q8013
Q8014

Q8018-Q8021
Q8005

DV-2850-S

A

SIDE B

A

CP8001

CP4003

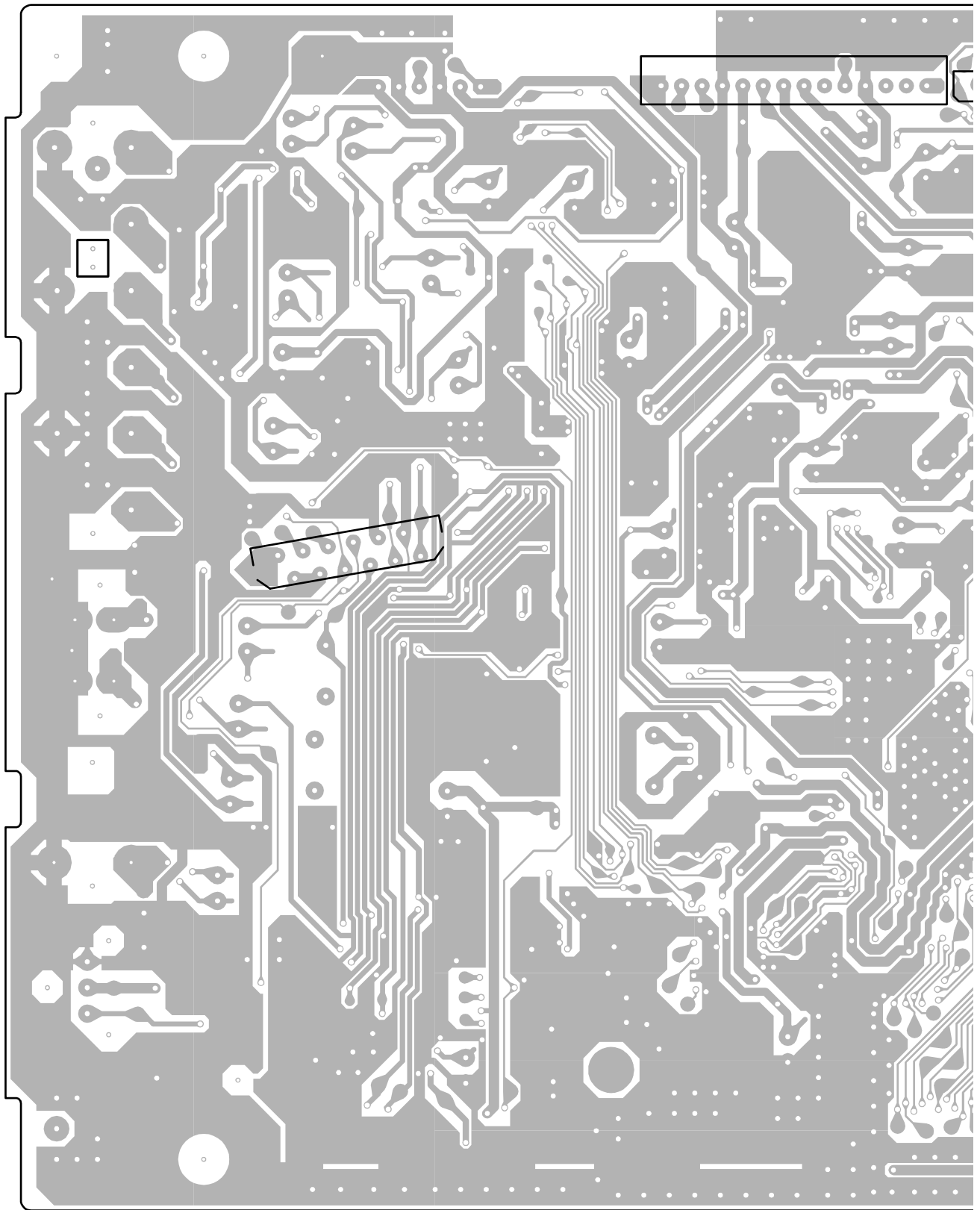
B

C

D

E

F



A

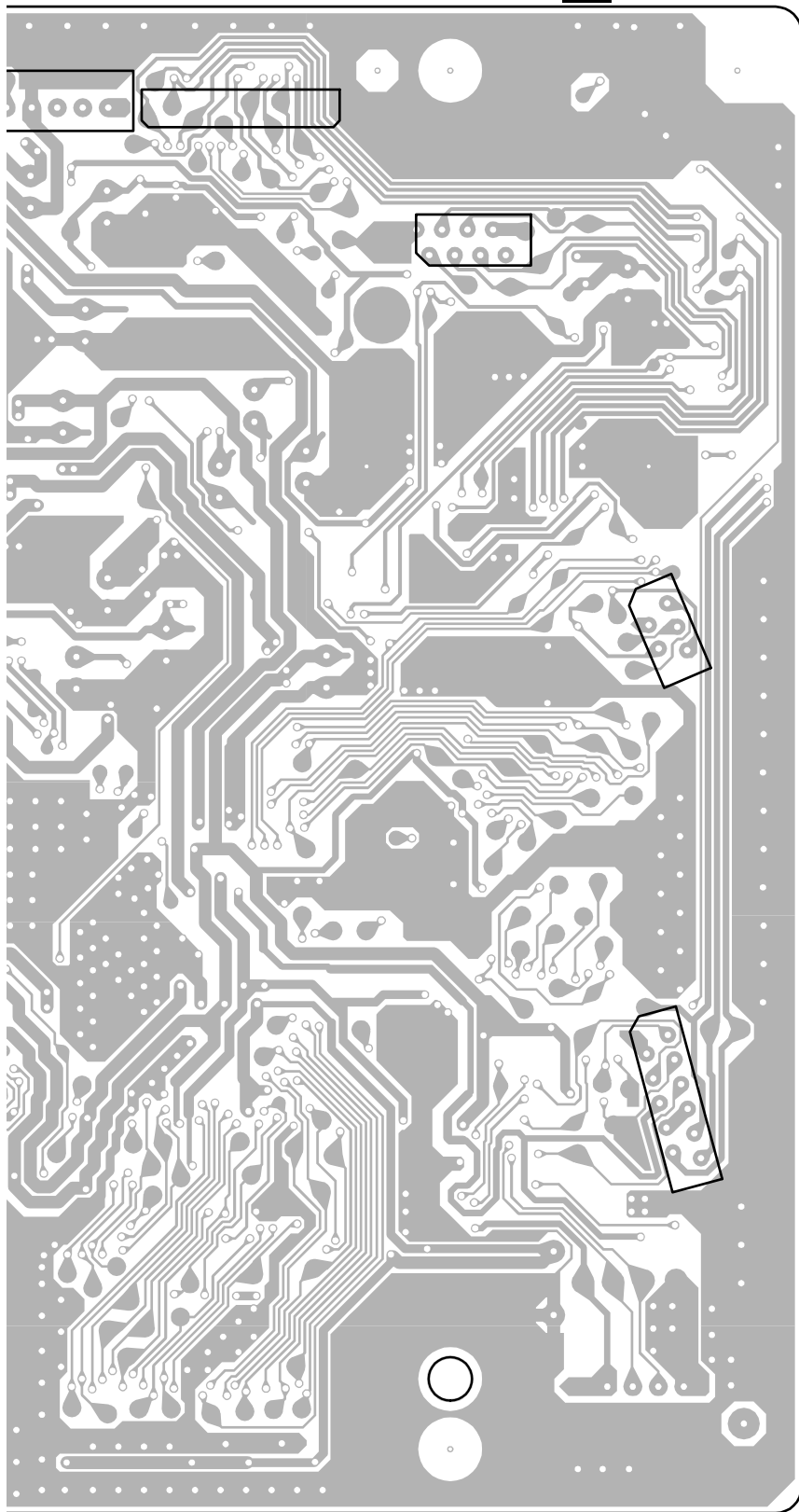
SIDE B

A

CP2301

CP2303

A DVD MT PCB ASSY



B

C

D

E

F

CP2302

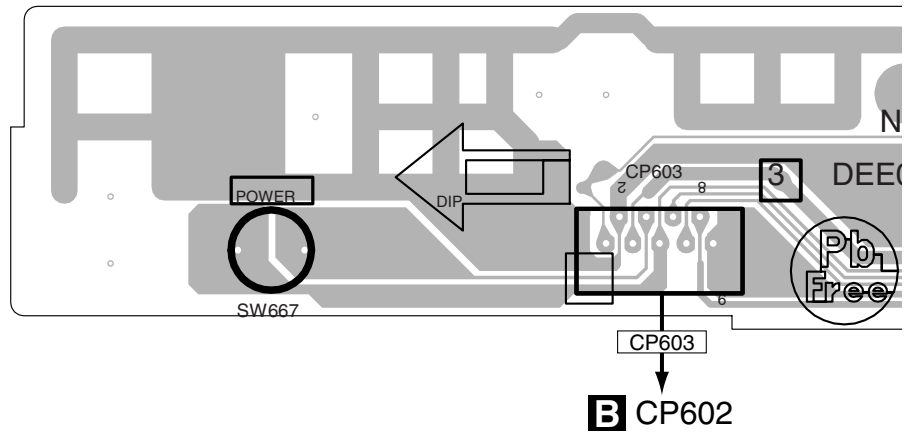
CP4002

A

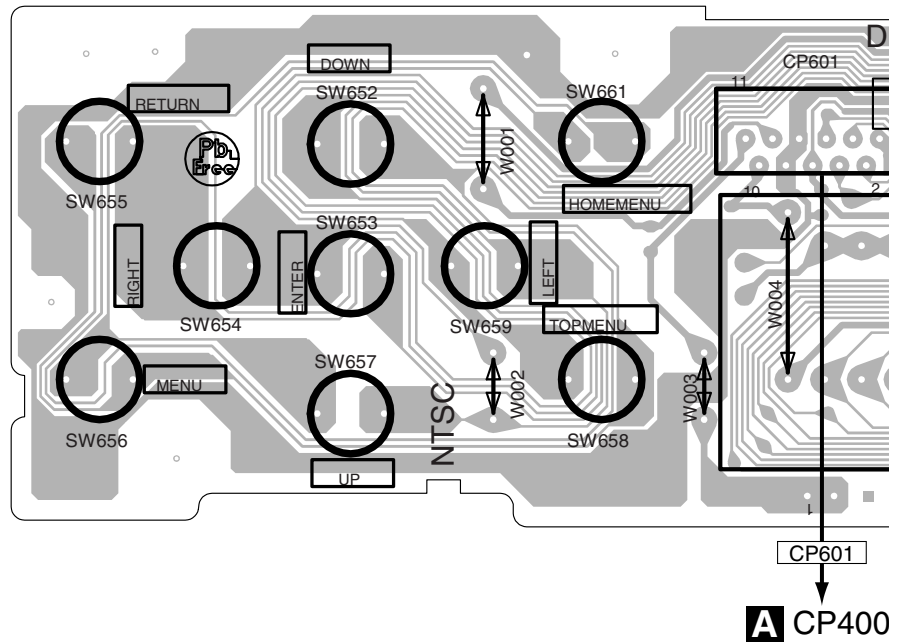
4.3 OPERATION, OPERATION 2 and OPERATION 3 PCB ASSYS

SIDE A

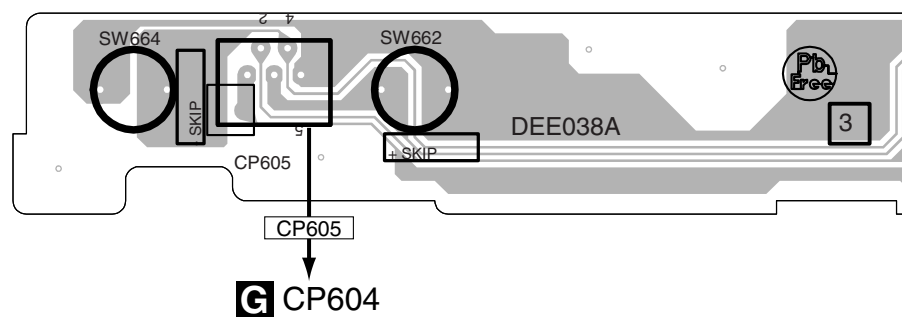
G OPERATION 3 PCB ASSY



B OPERATION PCB ASSY



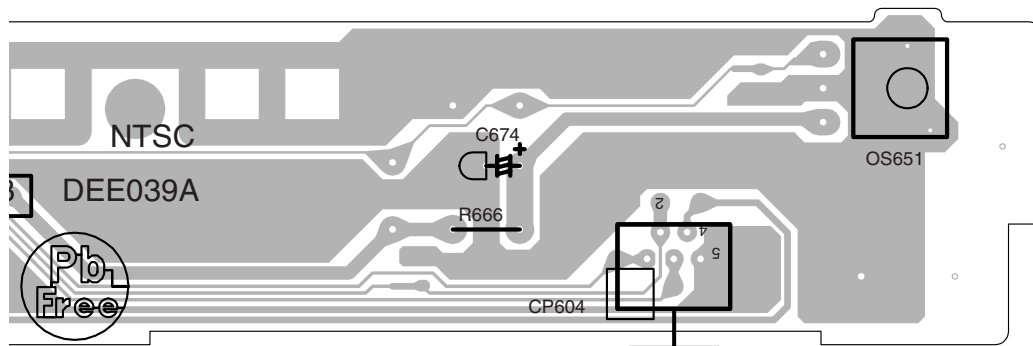
C OPERATION 2 PCB ASSY



B C G

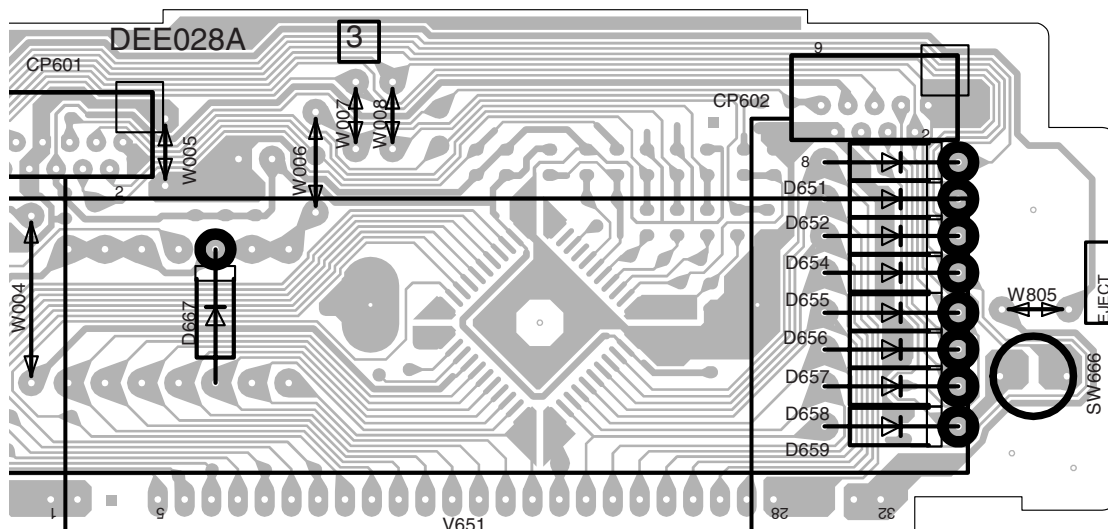
SIDE A

A



CP604
C CP605

B

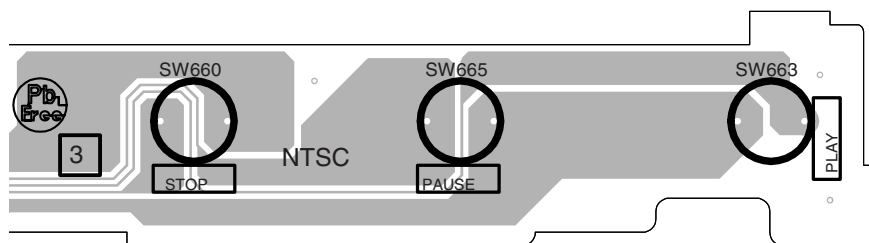


CP601
A CP4002

CP602
G CP603

C

D



E

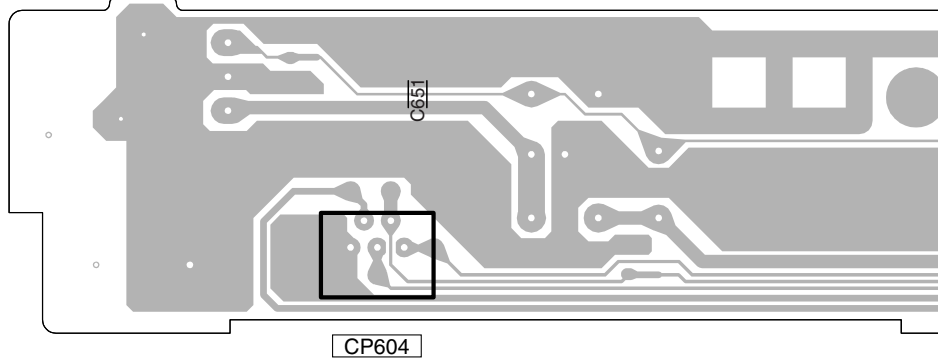
F

B C G

SIDE B

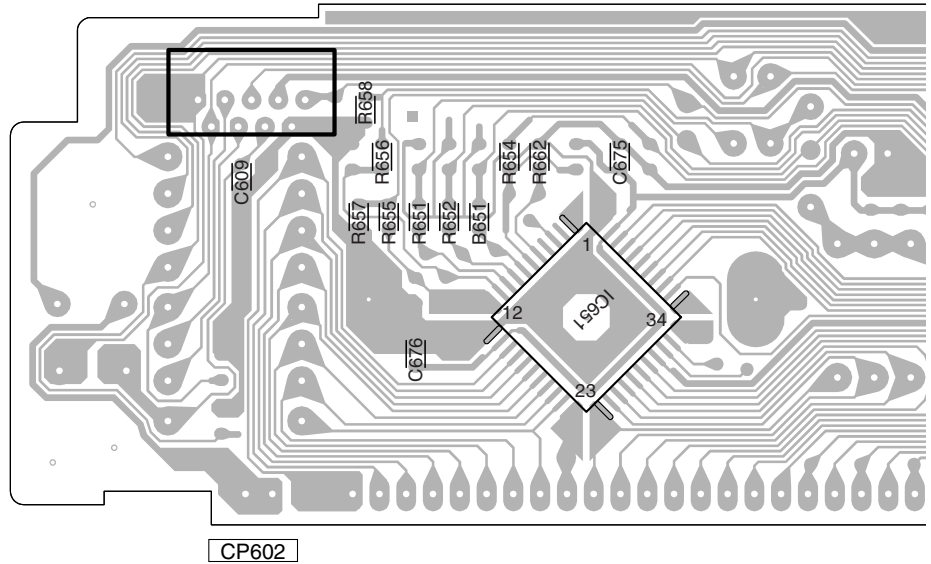
A

G OPERATION 3 PCB ASSY



B

B OPERATION PCB ASSY

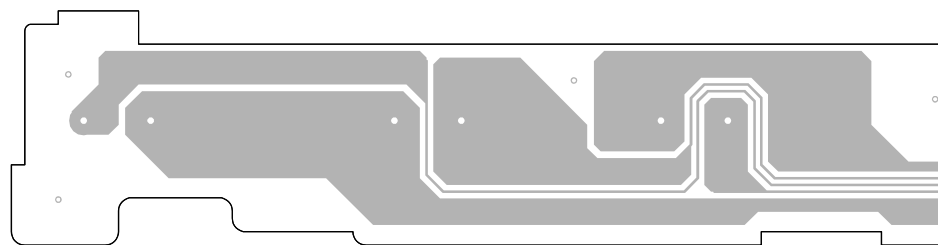


C

D

E

C OPERATION 2 PCB ASSY

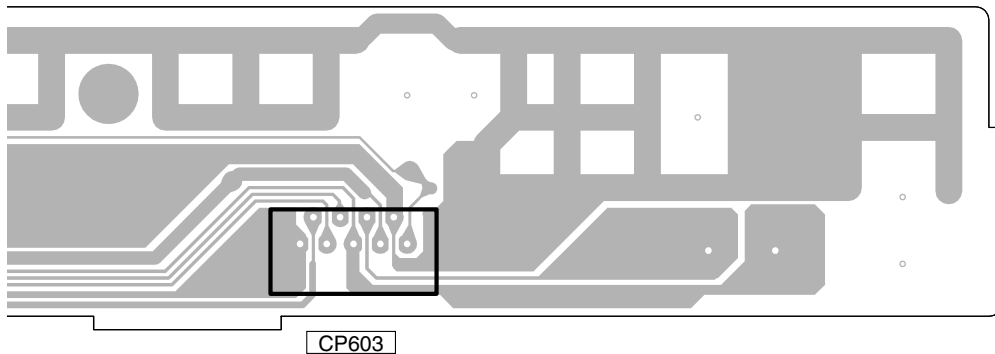


F

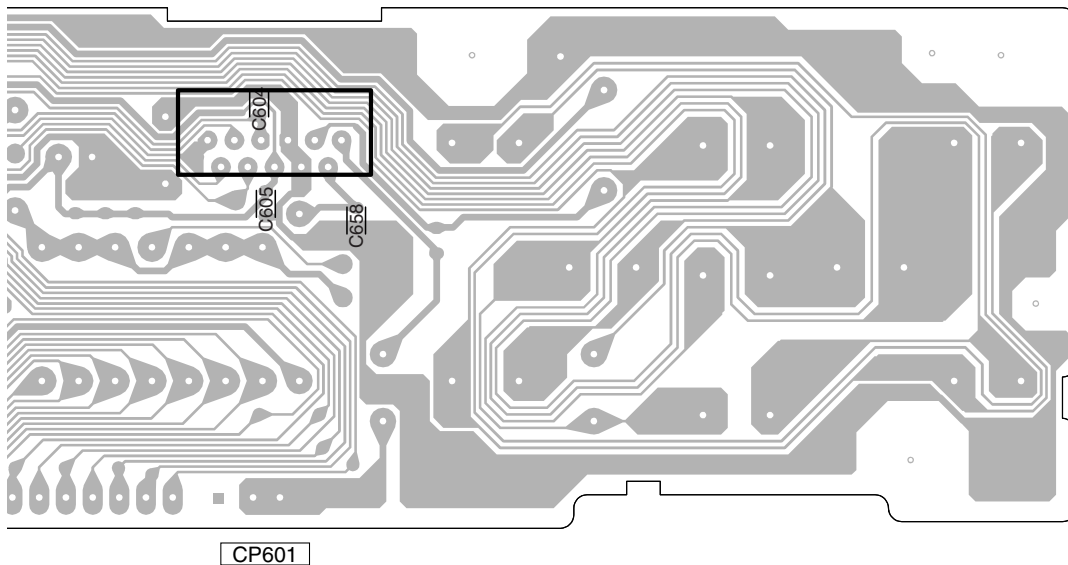
B C G

SIDE B

A

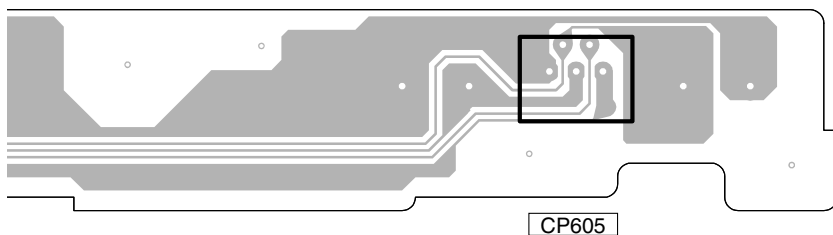


B



C

D



E

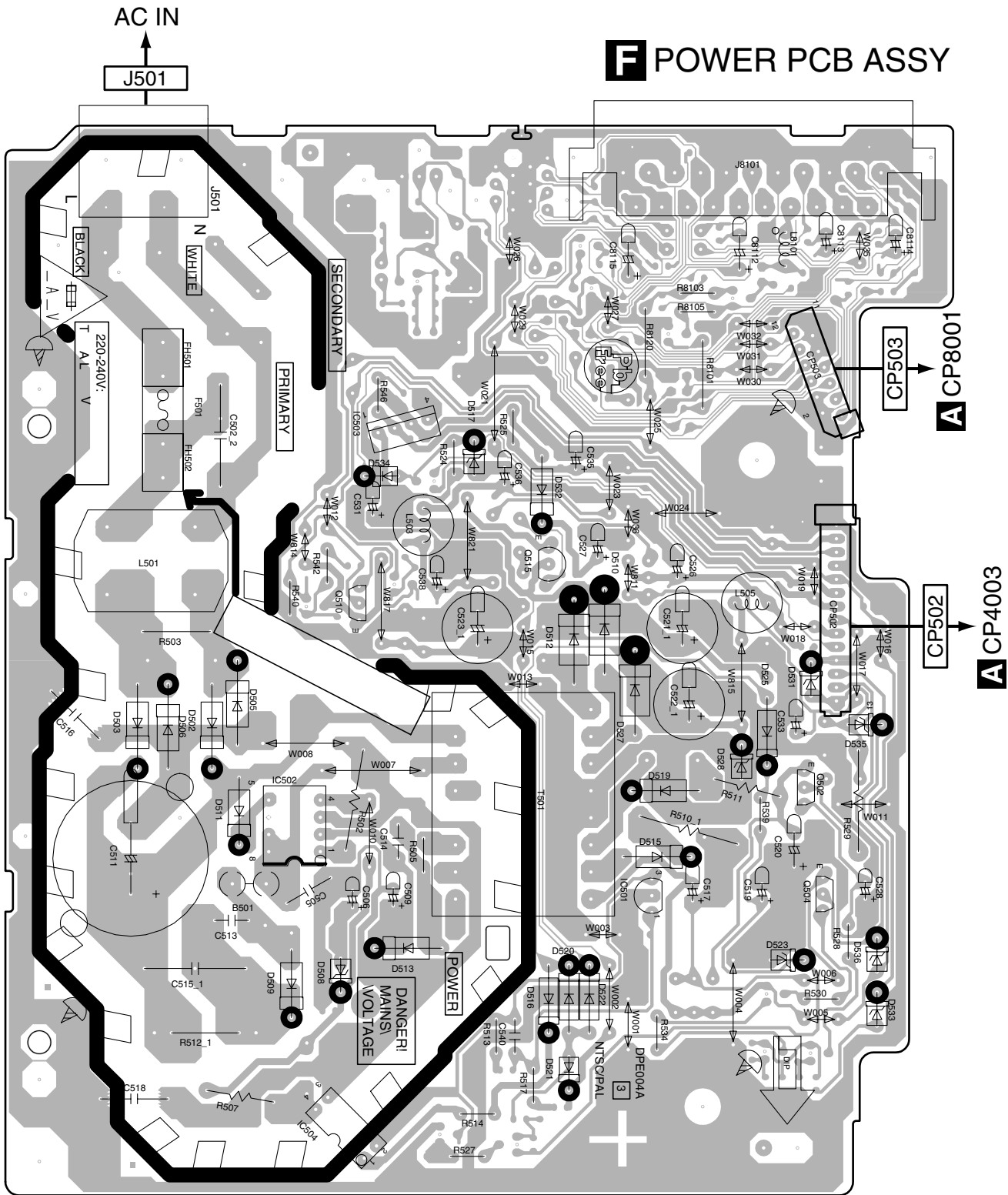
F

B C G

4.4 POWER PCB ASSY

SIDE A

F POWER PCB ASSY

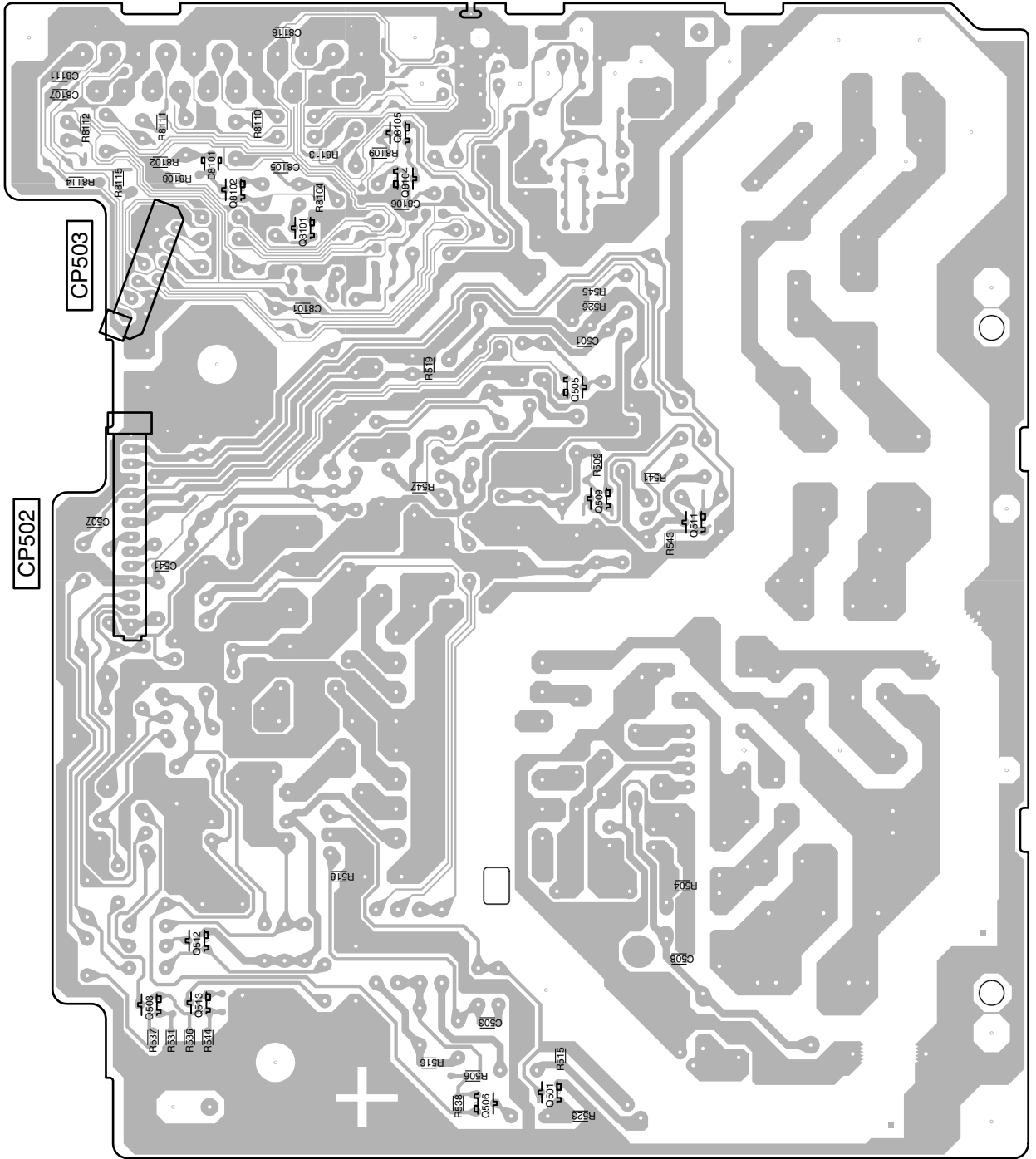


IC502 Q510 IC508 Q515 IC501 Q502
 IC504 IC504 Q504

F

A

F POWER PCB ASSY



B

C

D

E

F



5. PCB PARTS LIST

NOTES: ●Parts marked by "NSP" are generally unavailable because they are not in our Master Spare Parts List.

●The Δ mark found on some component parts indicates the importance of the safety factor of the part. Therefore, when replacing, be sure to use parts of identical designation.

●When ordering resistors, first convert resistance values into code form as shown in the following examples.

Ex.1 When there are 2 effective digits (any digit apart from 0), such as 560 ohm and 47k ohm (tolerance is shown by J=5%, and K=10%).

560 Ω \rightarrow 56 x 10¹ \rightarrow 561 RD1/4PU561J
 47k Ω \rightarrow 47 x 10³ \rightarrow 473 RD1/4PU473J
 0.5 Ω \rightarrow R50 RN2H R50K
 1 Ω \rightarrow 1R0 RS1P 1R0K

Ex.2 When there are 3 effective digits (such as in high precision metal film resistors).

5.62k Ω \rightarrow 562 x 10¹ \rightarrow 5621 RN1/4PC5621F

Mark No.	Description	Part No.	Mark No.	Description	Part No.
LIST OF ASSEMBLIES			CAPACITORS		
1..DVD MT PCB ASSY		A2G502A130	C2301	CC 0.1 UF 25V B	CS0PB0315K
1..OPERATION PCB ASSY		A2G501A270	C2302	CC 0.1 UF 25V B	CS0PB0315K
1..OPERATION 2 PCB ASSY		A2G501A280	C2303	CC 0.1 UF 25V B	CS0PB0315K
1..OPERATION 3 PCB ASSY		A2G501ADF0	C2305	CC 0.1 UF 25V B	CS0PB0315K
1..POWER PCB ASSY		A2G502A240	C2306	CE 100 UF 10V	E02LU1101M
NSP 1..DVD MECHA ASSY		A2F101A650	C2307	CC 1 UF 10V B	CS0PB0N16K
2..LOADING PCB ASSY		A2F101A610	C2308	CC 0.1 UF 25V B	CS0PB0315K
2..SW PCB ASSY		A2F101A640	C2309	CC 0.1 UF 25V B	CS0PB0315K
			C2310	CC 0.01 UF 50V B	CS0PB0414K
			C2311	CC 0.01 UF 50V B	CS0PB0414K

Mark No. Description Part No.

A DVD MT PCB ASSY SEMICONDUCTORS

IC2301	IC LA6565-TE-L-E	I03F065650
IC4001	IC BR24L16FJ-WE2	I57F04L160
IC4002	IC MT1389FE/C2-L	IC8K0389C0
IC4003	IC BD5229G-TR	I97F052290
IC4004	IC S29AL016D70TFI020	S2G502AF10
IC4005	IC K4S641632H-UC75	IFLJ0632H7
IC4006	IC SIP1117L-ADJ-TP	I1HF9117L0
IC8001	IC SN74CBT3257PWR	I5CJ032570
IC8002	IC MM1623BFBFE	I0UFG623B0
IC8003	IC BA4560F-E2	I07F045600
IC8004	IC PCM1742KEG/2K	I17F02KEG0
Q2301	KTC3875S_Y_RTK	TCAA3875SY
Q2302	KTA1504S_Y_RTK	TAAA1504SY
Q2303	KTA1504S_Y_RTK	TAAA1504SY
Q2304	KTA1504S_Y_RTK	TAAA1504SY
Q2305	KTA1504S_Y_RTK	TAAA1504SY
Q2306	FET 2SK3018T106	T27T030180
Q2307	FET 2SK3018T106	T27T030180
Q8005	KTC3875S_Y_RTK	TCAA3875SY
Q8010	DTC114YUAT106	TN7J407001
Q8013	DTC114YUAT106	TN7J407001
Q8014	KTA1504S_Y_RTK	TAAA1504SY
Q8016	KTC3875S_Y_RTK	TCAA3875SY
Q8018	2SD2114KT146	T97A021140
Q8019	2SD2114KT146	T97A021140
Q8020	2SD2114KT146	T97A021140
Q8021	2SD2114KT146	T97A021140
D8005	UDZS6.8B TE-17	DE7RB6R82B
D8007	1SS355 TE-17	DD7R0S3550

C2322	CC 0.0022UF 50V B	CS0PB04H3K
C2323	CC 0.1 UF 25V B	CS0PB0315K
C2325	CC 0.001 UF 50V B	CS0PB0413K
C4001	CC 0.0022UF 50V B	CS0PB04H3K
C4002	CC 270 PF 50V CH	CS0PCH4K2J
C4003	CC 150 PF 50V CH	CS0PCH4E2J
C4005	CC 0.1 UF 25V B	CS0PB0315K
C4007	CC 0.1 UF 25V B	CS0PB0315K
C4008	CC 0.1 UF 25V B	CS0PB0315K
C4009	CC 0.015 UF 50V B	CS0PB04E4K
C4012	CC 0.1 UF 25V B	CS0PB0315K
C4013	CC 0.1 UF 25V B	CS0PB0315K
C4014	CC 1 UF 10V B	CS0PB0N16K
C4015	CC 1 UF 10V B	CS0PB0N16K
C4016	CC 1 UF 10V B	CS0PB0N16K
C4017	CC 1 UF 10V B	CS0PB0N16K
C4019	CC 0.1 UF 25V B	CS0PB0315K
C4020	CC 0.1 UF 25V B	CS0PB0315K
C4021	CC 0.1 UF 25V B	CS0PB0315K
C4022	CC 0.1 UF 25V B	CS0PB0315K
C4023	CE 220 UF 6.3V	E02LU0221M
C4024	CC 0.0015UF 50V B	CS0PB04E3K
C4025	CC 0.1 UF 25V B	CS0PB0315K
C4026	CC 0.1 UF 25V B	CS0PB0315K
C4027	CC 0.1 UF 25V B	CS0PB0315K
C4028	CC 0.1 UF 25V B	CS0PB0315K
C4030	CC 0.1 UF 25V B	CS0PB0315K
C4031	CC 0.033 UF 25V B	CS0PB03L4K
C4032	CC 0.1 UF 25V B	CS0PB0315K
C4033	CC 0.001 UF 50V B	CS0PB0413K

5			6			7			8		
Mark No.	Description	Part No.	Mark No.	Description	Part No.	Mark No.	Description	Part No.	Mark No.	Description	Part No.
C4034	CC 22 PF 50V CH	CS0PCH4H1J	C8001	CC 0.1 UF 25V B	CS0PB0315K	C8001	CC 0.1 UF 25V B	CS0PB0315K			
C4035	CC 0.1 UF 25V B	CS0PB0315K	C8002	CC 1 UF 10V B	CS0PB0N16K	C8002	CC 1 UF 10V B	CS0PB0N16K			
C4039	CC 1 UF 10V B	CS0PB0N16K	C8003	CC 1 UF 10V B	CS0PB0N16K	C8003	CC 1 UF 10V B	CS0PB0N16K	A		
C4040	CC 1 UF 16V B	CS0PB0216K	C8004	CC 0.1 UF 25V B	CS0PB0315K	C8004	CC 0.1 UF 25V B	CS0PB0315K			
C4041	CC 0.1 UF 25V B	CS0PB0315K	C8005	CC 0.1 UF 25V B	CS0PB0315K	C8005	CC 0.1 UF 25V B	CS0PB0315K			
C4042	CC 0.047 UF 25V B	CS0PB03Q4K	C8006	CC 1 UF 10V B	CS0PB0N16K	C8006	CC 1 UF 10V B	CS0PB0N16K			
C4043	CC 0.1 UF 25V B	CS0PB0315K	C8008	CC 0.1 UF 25V B	CS0PB0315K	C8008	CC 0.1 UF 25V B	CS0PB0315K			
C4044	CC 0.047 UF 25V B	CS0PB03Q4K	C8010	CC 0.1 UF 25V B	CS0PB0315K	C8010	CC 0.1 UF 25V B	CS0PB0315K			
C4045	CC 0.47 UF 10V B	CS0PB0NQ5K	C8014	CE 100 UF 10V	E02LU1101M	C8014	CE 100 UF 10V	E02LU1101M			
C4046	CE 10 UF 25 V	E50HU3100M	C8015	CC 0.1 UF 25V B	CS0PB0315K	C8015	CC 0.1 UF 25V B	CS0PB0315K			
C4047	CC 390 PF 50V CH	CS0PCH4N2J	C8016	CC 0.1 UF 25V B	CS0PB0315K	C8016	CC 0.1 UF 25V B	CS0PB0315K			
C4048	CC 10 PF 50V CH	CS0PCH411D	C8017	CE 100 UF 10V	E02LU1101M	C8017	CE 100 UF 10V	E02LU1101M			
C4049	CC 11 PF 50V CH	CS0PCH4A1J	C8021	CC 0.1 UF 25V B	CS0PB0315K	C8021	CC 0.1 UF 25V B	CS0PB0315K			
C4050	CC 0.1 UF 25V B	CS0PB0315K	C8022	CE 1000 UF 6.3V	E02LT0102M	C8022	CE 1000 UF 6.3V	E02LT0102M	B		
C4052	CC 0.01 UF 50V B	CS0PB0414K	C8023	CE 470 UF 6.3V	E02LU0471M	C8023	CE 470 UF 6.3V	E02LU0471M			
C4053	CC 0.1 UF 25V B	CS0PB0315K	C8024	CE 470 UF 6.3V	E02LU0471M	C8024	CE 470 UF 6.3V	E02LU0471M			
C4054	CC 220 PF 50V CH	CS0PCH4H2J	C8025	CE 470 UF 6.3V	E02LU0471M	C8025	CE 470 UF 6.3V	E02LU0471M			
C4060	CC 0.1 UF 25V B	CS0PB0315K	C8026	CE 1000 UF 6.3V	E02LT0102M	C8026	CE 1000 UF 6.3V	E02LT0102M			
C4061	CC 0.1 UF 25V B	CS0PB0315K	C8036	CC 1 UF 10V B	CS0PB0N16K	C8036	CC 1 UF 10V B	CS0PB0N16K			
C4062	CC 0.1 UF 25V B	CS0PB0315K	C8038	CE 1 UF 50V	E50HU5010M	C8038	CE 1 UF 50V	E50HU5010M			
C4063	CC 0.1 UF 25V B	CS0PB0315K	C8042	CC 100 PF 50V CH	CS0PCH412J	C8042	CC 100 PF 50V CH	CS0PCH412J			
C4064	CC 0.1 UF 25V B	CS0PB0315K	C8046	CC 100 PF 50V CH	CS0PCH412J	C8046	CC 100 PF 50V CH	CS0PCH412J			
C4066	CC 1 UF 10V B	CS0PB0N16K	C8051	CE 100 UF 10V	E02LU1101M	C8051	CE 100 UF 10V	E02LU1101M			
C4067	CC 0.1 UF 25V B	CS0PB0315K	C8053	CE 100 UF 10V	E02LU1101M	C8053	CE 100 UF 10V	E02LU1101M			
C4068	CC 0.1 UF 25V B	CS0PB0315K	C8056	CC 560 PF 50V CH	CS0PCH4S2J	C8056	CC 560 PF 50V CH	CS0PCH4S2J	C		
C4071	CC 0.1 UF 25V B	CS0PB0315K	C8057	CC 560 PF 50V CH	CS0PCH4S2J	C8057	CC 560 PF 50V CH	CS0PCH4S2J			
C4072	CC 0.1 UF 25V B	CS0PB0315K	C8058	CC 0.1 UF 25V B	CS0PB0315K	C8058	CC 0.1 UF 25V B	CS0PB0315K			
C4073	CC 0.1 UF 25V B	CS0PB0315K	C8059	CC 0.1 UF 25V B	CS0PB0315K	C8059	CC 0.1 UF 25V B	CS0PB0315K			
C4074	CC 0.1 UF 25V B	CS0PB0315K	C8061	CE 1000 UF 6.3V	E02LT0102M	C8061	CE 1000 UF 6.3V	E02LT0102M			
C4076	CC 33 PF 50V CH	CS0PCH4L1J	C8062	CC 1 UF 10V B	CS0PB0N16K	C8062	CC 1 UF 10V B	CS0PB0N16K			
C4077	CC 100 PF 50V CH	CS0PCH412J	C8063	CC 0.1 UF 25V B	CS0PB0315K	C8063	CC 0.1 UF 25V B	CS0PB0315K			
C4078	CC 33 PF 50V CH	CS0PCH4L1J	C8066	CE 100 UF 10V	E02LU1101M	C8066	CE 100 UF 10V	E02LU1101M			
C4079	CC 100 PF 50V CH	CS0PCH412J	C8067	CC 100 PF 50V CH	CS0PCH412J	C8067	CC 100 PF 50V CH	CS0PCH412J			
C4080	CC 1 UF 10V B	CS0PB0N16K	C8068	CC 0.1 UF 25V B	CS0PB0315K	C8068	CC 0.1 UF 25V B	CS0PB0315K			
C4081	CC 0.001 UF 50V B	CS0PB0413K	C8069	CC 100 PF 50V CH	CS0PCH412J	C8069	CC 100 PF 50V CH	CS0PCH412J			
C4082	CC 0.1 UF 25V B	CS0PB0315K	C8070	CE 47 UF 16V	E02LU2470M	C8070	CE 47 UF 16V	E02LU2470M	D		
C4084	CC 0.1 UF 25V B	CS0PB0315K	C8072	CC 0.1 UF 25V B	CS0PB0315K	C8072	CC 0.1 UF 25V B	CS0PB0315K			
C4085	CC 0.1 UF 25V B	CS0PB0315K	C8073	CE 47 UF 16V	E02LU2470M	C8073	CE 47 UF 16V	E02LU2470M			
C4086	CE 1000 UF 6.3V	E02LT0102M	C8074	CC 330 PF 50V CH	CS0PCH4L2J	C8074	CC 330 PF 50V CH	CS0PCH4L2J			
C4088	CC 0.1 UF 25V B	CS0PB0315K	C8075	CC 0.1 UF 25V B	CS0PB0315K	C8075	CC 0.1 UF 25V B	CS0PB0315K			
C4090	CC 0.0082UF 50V B	CS0PB04W3K	C8076	CE 100 UF 10V	E02LU1101M	C8076	CE 100 UF 10V	E02LU1101M			
C4091	CC 0.0022UF 50V B	CS0PB04H3K	C8077	CC 330 PF 50V CH	CS0PCH4L2J	C8077	CC 330 PF 50V CH	CS0PCH4L2J			
C4093	CC 1 UF 10V B	CS0PB0N16K	C8078	CC 330 PF 50V CH	CS0PCH4L2J	C8078	CC 330 PF 50V CH	CS0PCH4L2J			
C4094	CC 0.1 UF 25V B	CS0PB0315K	RESISTORS			R2306	RC 100K OHM 1/16W	R803R9104J	E		
C4095	CE 47 UF 6.3V	E50HU0470M	R2307	RC 100K OHM 1/16W	R803R9104J	R2307	RC 100K OHM 1/16W	R803R9104J			
C4096	CC 1 UF 10V B	CS0PB0N16K	R2308	RC 10K OHM 1/16W	R803R9103J	R2308	RC 10K OHM 1/16W	R803R9103J			
C4098	CC 1 UF 10V B	CS0PB0N16K	R2309	RC 10K OHM 1/16W	R803R9103J	R2309	RC 10K OHM 1/16W	R803R9103J			
C4099	CC 0.001 UF 50V B	CS0PB0413K	R2310	RC 2.7K OHM 1/16W	R803R9272J	R2310	RC 2.7K OHM 1/16W	R803R9272J			
C4100	CE 220 UF 6.3V	E02LU0221M	R2311	RC 10K OHM 1/16W	R803R9103J	R2311	RC 10K OHM 1/16W	R803R9103J			
C4101	CC 0.1 UF 25V B	CS0PB0315K	R2312	RC 15K OHM 1/16W	R803R9153F	R2312	RC 15K OHM 1/16W	R803R9153F			
C4102	CC 0.1 UF 25V B	CS0PB0315K	R2313	RC 10K OHM 1/16W	R803R9103F	R2313	RC 10K OHM 1/16W	R803R9103F			
C4103	CC 0.1 UF 25V B	CS0PB0315K	R2316	RC 10K OHM 1/16W	R803R9103F	R2316	RC 10K OHM 1/16W	R803R9103F			
C4104	CC 1 UF 10V B	CS0PB0N16K	R2317	RC 56K OHM 1/16W	R803R9563F	R2317	RC 56K OHM 1/16W	R803R9563F			
C4105	CC 1 UF 10V B	CS0PB0N16K	R2318	RC 10K OHM 1/16W	R803R9103F	R2318	RC 10K OHM 1/16W	R803R9103F			
C4109	CC 0.1 UF 25V B	CS0PB0315K	R2319	RC 150K OHM 1/16W	R803R9154J	R2319	RC 150K OHM 1/16W	R803R9154J			
C4110	CC 100 PF 50V CH	CS0PCH412J	R2320	RC 4.7 OHM 1/16W	R803R94R7J	R2320	RC 4.7 OHM 1/16W	R803R94R7J	F		
C4112	CC 0.001 UF 50V B	CS0PB0413K	R2321	RC 4.7 OHM 1/16W	R803R94R7J	R2321	RC 4.7 OHM 1/16W	R803R94R7J			
C4114	CC 1 UF 10V B	CS0PB0N16K	R2322	RC 4.7 OHM 1/16W	R803R94R7J	R2322	RC 4.7 OHM 1/16W	R803R94R7J			
C4116	CC 100 PF 50V CH	CS0PCH412J									

Mark No.	Description	Part No.	Mark No.	Description	Part No.
A	R2323 RC 4.7 OHM 1/16W	R803R94R7J	R4084 RC 1K OHM 1/16W	R803R9102J	
	R2325 RC 15K OHM 1/16W	R803R9153F	R4087 RC 10K OHM 1/16W	R803R9103J	
	R2326 RC 4.7K OHM 1/16W	R803R9472J	R8014 RC 3.9K OHM 1/16W	R803R9392J	
	R2327 RC 4.7K OHM 1/16W	R803R9472J	R8016 RC 1.2K OHM 1/16W	R803R9122J	
	R2328 RC 10K OHM 1/16W	R803R9103F	R8017 RC 1.2K OHM 1/16W	R803R9122J	
	R2329 RC 1 OHM 1/16W	R803R9010J	R8018 RC 1.2K OHM 1/16W	R803R9122J	
	R2330 RC 10K OHM 1/16W	R803R9103F	R8021 RC 10K OHM 1/16W	R803R9103J	
	R2331 RC 150K OHM 1/16W	R803R9154J	R8023 RC 75 OHM 1/16W	R803R9750F	
	R2332 RC 1.2 OHM 1/16W	R803R91R2J	R8024 RC 75 OHM 1/16W	R803R9750F	
	R2333 RC 1.2 OHM 1/16W	R803R91R2J	R8026 RC 75 OHM 1/16W	R803R9750F	
B	R2334 RC 2.2 OHM 1/16W	R803R92R2J	R8027 RC 75 OHM 1/16W	R803R9750F	
	R2335 RC 2.2 OHM 1/16W	R803R92R2J	R8028 RC 75 OHM 1/16W	R803R9750F	
	R2337 RC 5.6K OHM 1/16W	R803R9562J	R8029 RC 75 OHM 1/16W	R803R9750F	
	R2338 RC 10K OHM 1/16W	R803R9103J	R8035 RC 2.2K OHM 1/16W	R803R9222J	
	R2342 RC 680K OHM 1/16W	R803R9684J	R8036 RC 3.9K OHM 1/16W	R803R9392J	
	R4001 RC 1K OHM 1/16W	R803R9102J	R8037 RC 1.8K OHM 1/16W	R803R9182J	
	R4002 RC 10K OHM 1/16W	R803R9103J	R8038 RC 220 OHM 1/16W	R803R9221J	
	R4003 RC 680K OHM 1/16W	R803R9684J	R8039 RC 68 OHM 1/16W	R803R9680J	
	R4005 RC 100 OHM 1/16W	R803R9101J	R8040 RC 100K OHM 1/16W	R803R9104J	
	R4007 RC 100 OHM 1/16W	R803R9101J	R8044 RC 10K OHM 1/16W	R803R9103J	
C	R4011 RC 10K OHM 1/16W	R803R9103J	R8046 RC 2.2K OHM 1/16W	R803R9222J	
	R4012 RC 10K OHM 1/16W	R803R9103J	R8048 RC 270K OHM 1/16W	R803R9274J	
	R4013 RC 10K OHM 1/16W	R803R9103J	R8049 RC 10K OHM 1/16W	R803R9103F	
	R4014 RC 10K OHM 1/16W	R803R9103J	R8051 RC 3.9K OHM 1/16W	R803R9392J	
	R4015 RC 10K OHM 1/16W	R803R9103J	R8054 RC 2.2K OHM 1/16W	R803R9222J	
	R4016 RC 15K OHM 1/16W	R803R9153J	R8056 RC 4.7K OHM 1/16W	R803R9472J	
	R4017 RC 22K OHM 1/16W	R803R9223J	R8057 RC 100 OHM 1/16W	R803R9101J	
	R4018 RC 22K OHM 1/16W	R803R9223J	R8059 RC 10K OHM 1/16W	R803R9103F	
	R4019 RC 22K OHM 1/16W	R803R9223J	R8060 RC 270K OHM 1/16W	R803R9274J	
	R4020 RC 15K OHM 1/16W	R803R9153J	R8061 RC 10K OHM 1/16W	R803R9103F	
	R4022 RC 100K OHM 1/16W	R803R9104J	R8063 RC 18K OHM 1/16W	R803R9183F	
	R4024 RC 750K OHM 1/16W	R803R9754J	R8065 RC 10 OHM 1/16W	R803R9100J	
	R4025 RC 100K OHM 1/16W	R803R9104J	R8066 RC 10K OHM 1/16W	R803R9103F	
	R4026 RC 10K OHM 1/16W	R803R9103J	R8067 RC 18K OHM 1/16W	R803R9183F	
	R4027 RC 100 OHM 1/16W	R803R9101J	R8069 RC 680K OHM 1/16W	R803R9684J	
D	R4033 RC 10K OHM 1/16W	R803R9103J	R8070 RC 33 OHM 1/16W	R803R9330J	
	R4034 RC 33 OHM 1/16W	R803R9330J	R8073 RC 22K OHM 1/16W	R803R9223J	
	R4035 RC 33 OHM 1/16W	R803R9330J	R8074 RC 22K OHM 1/16W	R803R9223J	
	R4036 RC 33 OHM 1/16W	R803R9330J	R8076 RC 470 OHM 1/16W	R803R9471J	
	R4037 RC 15 OHM 1/16W	R803R9150J	R8077 RC 220 OHM 1/16W	R803R9221F	
	R4039 RC 68 OHM 1/16W	R803R9680F	R8078 RC 470 OHM 1/16W	R803R9471J	
	R4043 RC 33 OHM 1/16W	R803R9330J	R8079 RC 220 OHM 1/16W	R803R9221F	
	R4044 RC 39 OHM 1/16W	R803R9390F	R8080 RC 220 OHM 1/16W	R803R9221F	
	R4046 RC 10 OHM 1/16W	R803R9100J	R8081 RC 470 OHM 1/16W	R803R9471J	
	R4047 RC 33 OHM 1/16W	R803R9330J	R8082 RC 220 OHM 1/16W	R803R9221F	
E	R4050 RC 33 OHM 1/16W	R803R9330J	R8083 RC 470 OHM 1/16W	R803R9471J	
	R4051 RC 33 OHM 1/16W	R803R9330J	R8084 RC 220 OHM 1/16W	R803R9221F	
	R4052 RC 10K OHM 1/16W	R803R9103J	R8085 RC 220 OHM 1/16W	R803R9221F	
	R4054 RC 10K OHM 1/16W	R803R9103J	W13809 RC 0 OHM 1/16W	R803R9000J	
	R4061 RC 2.7K OHM 1/16W	R803R9272F	W13811 RC 0 OHM 1/16W	R803R9000J	
	R4062 RC 15K OHM 1/16W	R803R9153J	W13812 RC 0 OHM 1/16W	R803R9000J	
	R4064 RC 150 OHM 1/16W	R803R9151F	W13813 RC 0 OHM 1/16W	R803R9000J	
	R4065 RC 150 OHM 1/16W	R803R9151F	W13814 RC 0 OHM 1/16W	R803R9000J	
	R4066 RC 150 OHM 1/16W	R803R9151F	W13815 RC 0 OHM 1/16W	R803R9000J	
	R4067 RC 150 OHM 1/16W	R803R9151F	W13816 RC 0 OHM 1/16W	R803R9000J	
F	R4068 RC 150 OHM 1/16W	R803R9151F	W13817 RC 0 OHM 1/16W	R803R9000J	
	R4069 RC 150 OHM 1/16W	R803R9151F	W13819 RC 0 OHM 1/16W	R803R9000J	
	R4070 RC 33 OHM 1/16W	R803R9330J	W13820 RC 0 OHM 1/16W	R803R9000J	
	R4071 RC 33 OHM 1/16W	R803R9330J	W13824 RC 0 OHM 1/16W	R803R9000J	
	R4082 RC 33 OHM 1/16W	R803R9330J	W13829 RC 0 OHM 1/16W	R803R9000J	

Mark No.	Description	Part No.
W13832	RC 0 OHM 1/16W	R803R9000J
W13833	RC 0 OHM 1/16W	R803R9000J
W13834	RC 0 OHM 1/16W	R803R9000J
W13847	RC 0 OHM 1/16W	R803R9000J
W13848	RC 0 OHM 1/16W	R803R9000J
W13850	RC 0 OHM 1/16W	R803R9000J
W13851	RC 0 OHM 1/16W	R803R9000J
W13852	RC 0 OHM 1/16W	R803R9000J
W13853	RC 0 OHM 1/16W	R803R9000J
W13866	RC 0 OHM 1/16W	R803R9000J
W13870	RC 0 OHM 1/16W	R803R9000J

OTHERS

B4001	CORE,BEADS	0246C51024
B4002	CORE,BEADS	0246C51024
B4007	CORE,BEADS	0246C51024
B8001	CORE,BEADS	0246C51024
B8002	CORE,BEADS	0246C51024
B8003	CORE,BEADS	0246C51024
B8004	CORE,BEADS	0246C51024
B8006	CORE,BEADS	0246C51024
B8007	CORE,BEADS	0246C51024
CP2301	CONNECTOR PCB SIDE	069GYOT119
CP2302	CONNECTOR PCB SIDE	069EV53030
CP2303	CONNECTOR PCB SIDE	069EV63030
CP4002	CONNECTOR PCB SIDE	069EVB3030
CP4003	CONNECTOR PCB SIDE	069S2E0629
CP8001	CONNECTOR PCB SIDE	069J7C0599
J8001	RCA JACK	060J451008
J8002	JACK	063D700008
J8003	RCA JACK	060J411034
J8004	RCA JACK	060J401102
NR4001	R,NETWORK	110P4330M4
NR4002	R,NETWORK	110P4330M4
X4001	CRYSTAL	100BT02701
PCB130	PCB DME025A	13DME025AC

B OPERATION PCB ASSY

SEMICONDUCTORS

IC651	IC PT6315	PT6315
D651	1SS133T-77	D1VT001330
D652	1SS133T-77	D1VT001330
D654	1SS133T-77	D1VT001330
D655	1SS133T-77	D1VT001330
D656	1SS133T-77	D1VT001330
D657	1SS133T-77	D1VT001330
D658	1SS133T-77	D1VT001330
D659	1SS133T-77	D1VT001330
D669	1SS133T-77	D1VT001330

SWITCHES AND RELAYS

SW652	SWITCH TACT	0504R01T38
SW653	SWITCH TACT	0504R01T38
SW654	SWITCH TACT	0504R01T38
SW655	SWITCH TACT	0504R01T38
SW656	SWITCH TACT	0504R01T38
SW657	SWITCH TACT	0504R01T38
SW658	SWITCH TACT	0504R01T38

Mark No.	Description	Part No.
SW659	SWITCH TACT	0504R01T38
SW661	SWITCH TACT	0504R01T38
SW666	SWITCH TACT	0504R01T38

CAPACITORS

C651	CC 0.1 UF 25V B	CS0PB0315K
C658	CC 0.1 UF 50V B	CS0PB0415K
C659	CC 0.001 UF 50V B	CS0PB0413K
C674	CE 47 UF 6.3V	E50HU0470M
C675	CC 0.1 UF 25V B	CS0PB0315K
C676	CC 0.1 UF 25V B	CS0PB0315K

RESISTORS

R651	RC 2.2 OHM 1/16W	R803R92R2J
R652	RC 2.2 OHM 1/16W	R803R92R2J
R653	RC 2.2 OHM 1/16W	R803R92R2J
R654	RC 2.2 OHM 1/16W	R803R92R2J
R655	RC 1K OHM 1/16W	R803R9102J
R656	RC 1K OHM 1/16W	R803R9102J
R657	RC 10K OHM 1/16W	R803R9103J
R658	RC 10K OHM 1/16W	R803R9103J
R662	RC 100K OHM 1/16W	R803R9104J
R666	RC 2.2 OHM 1/4W	R002T42R2J

OTHERS

V651	TUBE FLUORESCENT	VAW1077
CD601	CORD JUMPER	122H0B1002
CD602	CORD JUMPER	122H092801
CD604	CORD JUMPER	122H051001
CP601	CONNECTOR PCB SIDE	069EVB3050
CP602	CONNECTOR PCB SIDE	069EV93050
W27001	JUMPER IN PCB	1230T05001
W27002	JUMPER IN PCB	1230T12501
W27003	JUMPER IN PCB	1230T05001
W27004	JUMPER IN PCB	1230T12501
W27005	JUMPER IN PCB	1230T05001
W27006	JUMPER IN PCB	1230T07501
W27007	JUMPER IN PCB	1230T07501
W27008	JUMPER IN PCB	1230T05001
W27009	JUMPER IN PCB	1230T05001
W27805	JUMPER IN PCB	1230T05001
PCB270	PCB DEE028A	13DEE028AW

C OPERATION 2 PCB ASSY

SWITCHES AND RELAYS

SW660	SWITCH TACT	0504R01T38
SW662	SWITCH TACT	0504R01T38
SW664	SWITCH TACT	0504R01T38
SW665	SWITCH TACT	0504R01T38
SW667	SWITCH TACT	0504R01T38

OTHERS

CP605	CONNECTOR PCB SIDE	069EV53050
PCB280	PCB DEE038A	13DEE038AW

F POWER PCB ASSY

SEMICONDUCTORS

IC501	IC KIA431A-AT	I1KJ9A431A
IC502	IC STR-A6151M	I0BD061510

Mark No. Description**Part No.**

IC503 IC PQ070XF01SZH I0GA9XF010
 IC504 PS2561AL1-1-V(W) 000220002W
 Q501 KTC3875S_Y_RTK TCAA3875SY

Q502 KTC3209_Y_AT TCAT03209Y
 Q503 KTA1504S_Y_RTK TAAA1504SY
 Q504 KTA1281_Y TAAT01281Y
 Q505 KTA102SR TK TNAAB05003
 Q506 KTA1504S_Y_RTK TAAA1504SY

Q509 KTC3875S_Y_RTK TCAA3875SY
 Q510 KTA1281_Y TAAT01281Y
 Q511 KTC3875S_Y_RTK TCAA3875SY
 Q512 KTC3875S_Y_RTK TCAA3875SY
 Q513 KTA1504S_Y_RTK TAAA1504SY

Q515 2SD1207(S,T)-AE TD3T012070
 Q8101 KTC3875S_Y_RTK TCAA3875SY
 Q8102 KTA1504S_Y_RTK TAAA1504SY
 Q8104 DTC144EKAT146 TNYJD05001
 Q8105 DTA114EKAT146 TPYJB05001

D502 1N4005-EIC D2WXN40050
 D503 1N4005-EIC D2WXN40050
 D505 1N4005-EIC D2WXN40050
 D506 1N4005-EIC D2WXN40050
 D508 MTZJ5.6B T-77 D97U05R61B

D509 RGP10KE-G3 D2LTP10KE0
 D510 RGP15J-G23 D23TGP15J0
 D511 10ERB20-TA1B2 D28T0ERB20
 D512 RGP15J-G23 D23TGP15J0
 D513 10ERB20-TA1B2 D28T0ERB20

D515 11EQS04N-TA1B2 D28TQS04N0
 D516 1SS133T-77 D1VT001330
 D517 MTZJ4.3B T-77 D97U04R31B
 D519 10ERB60-TA2B5 D28X0ERB60
 D520 1SS133T-77 D1VT001330

D521 1SS133T-77 D1VT001330
 D522 D1SS133T-77 D1VT001330
 D523 MTZJ3.6B T-77 D97U03R61B
 D525 1SS133T-77 D1VT001330
 D527 21DQ04N-TA2B1 D28T21DQN4

D528 MTZJ5.1B T-77 D97U05R11B
 D531 MTZJ27B T-77 D97U02701B
 D532 11EQS04N-TA2B5 D28XQS04N0
 D533 MTZJ2.2B T-77 D97U02R21B
 D534 1SS133T-77 D1VT001330

D535 MTZJ5.1B T-77 D97U05R11B
 D536 MTZJ3.0B T-77 D97U03R01B
 D8101 1SS355 TE-17 DD7R0S3550

COILS AND FILTERS

B501 CORE,BEADS 024HT03563
 L501 COIL,LINE FILTER 029X000123
 L503 COIL 22 UH 02167E220K
 L505 COIL 22 UH 02167E220K
 L8101 COIL 10 UH 02167F100J

TRANSFORMERS

T501 TRANSFORMER,SWITCHING 0481291294

CAPACITORS

C501 CC 0.01 UF 50V F CS0PF0414Z
 C502 CMP 0.22 UF 275V ECQUL P2122B224M
 C503 CC 0.1 UF 25V B CS0PB0315K
 C505 CC 100 PF 2KV R C0PLRR712K

Mark No. Description**Part No.**

C506 CE 2.2 UF 50V E50HU52R2M

C507 CC 0.01 UF 50V F CS0PF0414Z
 C508 CC 680 PF 50V CH CS0PCH4U2J
 C509 CE 10 UF 50V E02LU5100M
 C511 CE 82 UF 400V E51CHH820M
 C513 CC 47 PF 2KV SL CP3YSL7Q1J

C514 CC 470 PF 500V B C0JTB05Q2K
 C515 CP 0.01 UF 400V ECQP P11104103J
 C516 CC 0.0022UF 250V CD39E0MH3M
 C517 CE 220 UF 25V E02LU3221M
 C518 CC 0.001 UF 250V CD39E0M13M

C519 CE 22 UF 35V E02LU4220M
 C520 CE 100 UF 50V E02LT5101M
 C521 CE 1000 UF 16V E61FF2102D
 C522 1000 UF 6.3V E61FT0102D
 C523 CE 25YK470MKC 470 UF 25V E0ELF3471M

C526 CE 220 UF 6.3V E02LU0221M
 C527 CE 100 UF 10V E02LU1101M
 C528 CE 2.2 UF 50V E50HU52R2M
 C531 CE 100 UF 16V E02LU2101M
 C533 CE 100 UF 10V E02LU1101M

C535 CE 330 UF 16V E02LU2331M
 C536 CE 220 UF 6.3V E02LU0221M
 C538 CE 220 UF 6.3V E02LU0221M
 C540 CC 0.01 UF 50V B CQGTB0414K
 C541 CC 0.01 UF 50V F CS0PF0414Z

C8101 CC 0.01 UF 50V B CS0PB0414K
 C8105 CC 0.1 UF 25V B CS0PB0315K
 C8106 CC 0.001 UF 50V B CS0PB0413K
 C8107 CC 0.001 UF 50V B CS0PB0413K
 C8111 CC 0.001 UF 50V B CS0PB0413K

C8112 CE 1000 UF 6.3V E02LT0102M
 C8113 CE 470 UF 6.3V E02LU0471M
 C8114 CE 470 UF 6.3V E02LU0471M
 C8115 CE 1000 UF 6.3V E02LT0102M
 C8116 CC 33 PF 50V CH CS0PCH4L1J

RESISTORS

R502 R,METAL OXIDE 1.8 OHM 1W R3X1811R8J
 R503 RC 1.5M OHM 1/2W R002T2155J
 R504 RC 680K OHM 1/16W R803R9684J
 R505 RC 22 OHM 1/4W R002T4220J
 R506 RC 100 OHM 1/16W R803R9101J

R507 R,FUSE 10 OHM 1/4W R63884100J
 R509 RC 1K OHM 1/16W R803R9102J
 R510 R,METAL OXIDE 3.3 OHM 1W R3X1813R3J
 R511 R,FUSE 68 OHM 1/4W R65584680J
 R512 RC 100K OHM 1/2W R002T2104J

R513 RC 10K OHM 1/4W R002T4103J
 R514 RC 1K OHM 1/4W R002T4102J
 R515 RC 1K OHM 1/16W R803R9102J
 R516 RC 10 OHM 1/16W R803R9100J
 R517 R,METAL 1.2K OHM 1/6W R4X5T6122F

R518 RC 3.3K OHM 1/16W R803R9332F
 R519 RC 1K OHM 1/16W R803R9102J
 R523 RC 22K OHM 1/16W R803R9223J
 R524 RC 1K OHM 1/4W R002T4102J
 R525 RC 150 OHM 1/4W R002T4151J

R526 RC 6.8K OHM 1/16W R803R9682F
 R527 RC 100 OHM 1/4W R002T4101J

Mark No.	Description	Part No.
R528	RC 22K OHM 1/4W	R002T4223J
R529	R,METAL OXIDE 220 OHM 1W	R3X181221J
R530	RC 560 OHM 1/4W	R002T4561J
R531	RC 10K OHM 1/16W	R803R9103J
R534	RC 100 OHM 1/4W	R002T4101J
R536	RC 10K OHM 1/16W	R803R9103J
R537	RC 1K OHM 1/16W	R803R9102J
R538	RC 22K OHM 1/16W	R803R9223J
R539	RC 4.7K OHM 1/4W	R002T4472J
R540	RC 680 OHM 1/4W	R002T4681J
R541	RC 5.6K OHM 1/16W	R803R9562F
R542	R,METAL 1K OHM 1/6W	R4X5T6102F
R543	RC 4.7K OHM 1/16W	R803R9472F
R544	RC 10K OHM 1/16W	R803R9103J
R545	RC 22K OHM 1/16W	R803R9223F
R546	R,METAL 3.3K OHM 1/6W	R4X5T6332F
R547	RC 22 OHM 1/16W	R803R9220J
R8101	RC 4.7K OHM 1/4W	R002T4472J
R8102	RC 56K OHM 1/16W	R803R9563J
R8103	RC 470 OHM 1/4W	R002T4471J
R8104	RC 6.8K OHM 1/16W	R803R9682J
R8105	RC 390 OHM 1/4W	R002T4391J
R8108	RC 8.2K OHM 1/16W	R803R9822J
R8109	RC 68 OHM 1/16W	R803R9680F
R8110	RC 75 OHM 1/16W	R803R9750F
R8111	RC 75 OHM 1/16W	R803R9750F
R8112	RC 75 OHM 1/16W	R803R9750F
R8113	RC 75 OHM 1/16W	R803R9750F
R8114	RC 220 OHM 1/16W	R803R9221F
R8115	RC 220 OHM 1/16W	R803R9221F
R8120	RC 1 OHM 1/4W	R002T4010J

OTHERS

F501	FUSE 50T016H	080NT1R604
CD8001	CORD JUMPER	122H0C3001
CP502	CORD CONNECTOR	06C32E3504
CP503	CONNECTOR PCB SIDE	069J7C0599
FH501	HOLDER,FUSE	06710T0009
FH502	HOLDER,FUSE	06710T0009
J501	SOCKET,AC	064A6A0001
J8101	SOCKET,21PIN	063D100050
W24001	JUMPER IN PCB	1230T07501
W24002	JUMPER IN PCB	1230T10001
W24003	JUMPER IN PCB	1230T05001
W24004	JUMPER IN PCB	1230T12501
W24005	JUMPER IN PCB	1230T05001
W24006	JUMPER IN PCB	1230T05001
W24007	JUMPER IN PCB	1230T15001
W24008	JUMPER IN PCB	1230T12501
W24010	JUMPER IN PCB	1230T10001
W24011	JUMPER IN PCB	1230T07501
W24012	JUMPER IN PCB	1230T05001
W24013	JUMPER IN PCB	1230T05001
W24015	JUMPER IN PCB	1230T05001
W24016	JUMPER IN PCB	1230T05001
W24017	JUMPER IN PCB	1230T10001
W24018	JUMPER IN PCB	1230T05001
W24019	JUMPER IN PCB	1230T05001
W24021	JUMPER IN PCB	1230T15001
W24023	JUMPER IN PCB	1230T07501

Mark No.	Description	Part No.
W24024	JUMPER IN PCB	1230T10001
W24025	JUMPER IN PCB	1230T07501
W24026	JUMPER IN PCB	1230T05001
W24027	JUMPER IN PCB	1230T05001
W24029	JUMPER IN PCB	1230T05001
W24030	JUMPER IN PCB	1230T05001
W24031	JUMPER IN PCB	1230T05001
W24032	JUMPER IN PCB	1230T05001
W24035	JUMPER IN PCB	1230T05001
W24036	JUMPER IN PCB	1230T05001
W24811	JUMPER IN PCB	1230T05001
W24814	JUMPER IN PCB	1230T05001
W24815	JUMPER IN PCB	1230T12501
W24817	JUMPER IN PCB	1230T12501
W24821	JUMPER IN PCB	1230T12501
PCB240	PCB DPE004A	13DPE004AW

G OPERATION 3 PCB ASSY SWITCHES AND RELAYS

OS651	REMOTE RECEIVER	077A040001
SW667	SWITCH TACT	0504R01T38

CAPACITORS

C674	KA 47 UF 6.3V	E02LU0470M
C651	CC 0.1 UF 25V B	CS0PB0315K

RESISTORS

R666	RC 2.2K OHM 1/4W	R002T4222J
------	------------------	------------

OTHERS

CP603	CONNECTOR PCB SIDE	069EV93050
CP604	CONNECTOR PCB SIDE	069EV53050
PCB280	PCB DEE038A	13DEE038AW

6. ADJUSTMENT

6.1 WHEN REPLACING DVD DECK

[Removing the DVD Deck]

Before removing Pick Up PCB and DVD PCB connector, short circuit the position shown in **Fig. 1** using a soldering iron. If you remove the DVD Deck with no soldering, the Laser may be damaged.

[Installing the DVD Deck]

Remove all the soldering on the short circuit position after the connection of Pick Up PCB and DVD PCB connector.

NOTE

- Before your operation, please read "PREPARATION OF SERVICING" .
- Use the Lead Free solder.
- Manual soldering conditions
 - Soldering temperature: $320 \pm 20^{\circ}\text{C}$
 - Soldering time: Within 3 seconds
 - Soldering combination: Sn-3.0Ag-0.5Cu
- When Soldering/Removing of solder, use the draw in equipment over the Pick Up Unit to prevent the Flux smoke from it.

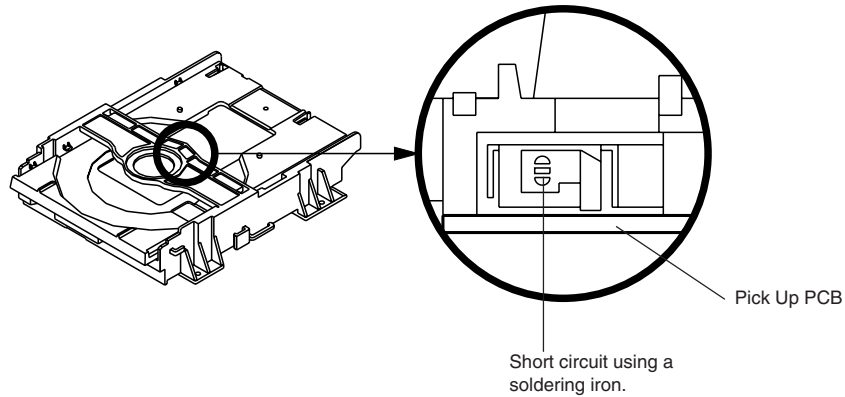
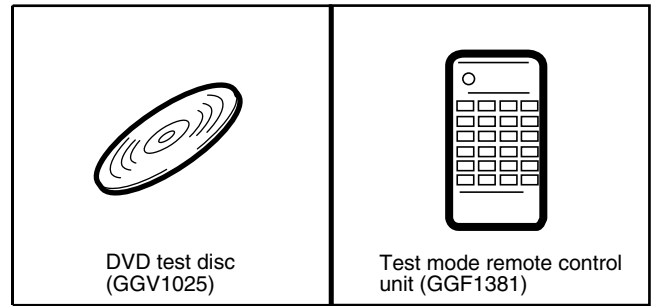
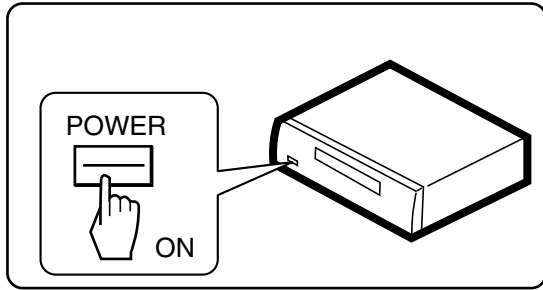


Fig. 1

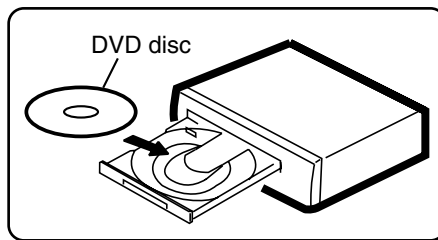
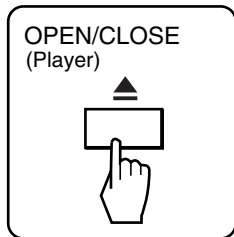
6.2 TEST MODE

POWER ON

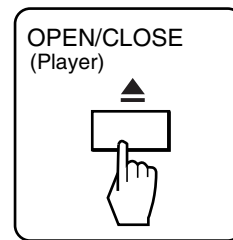


DISC SET

<TRAY OPEN>

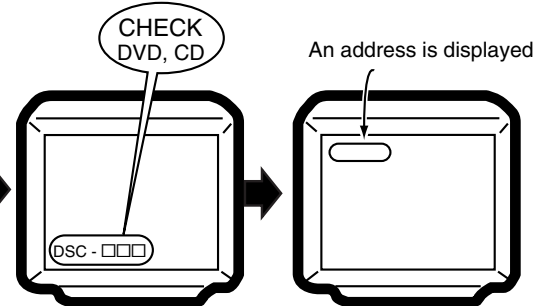
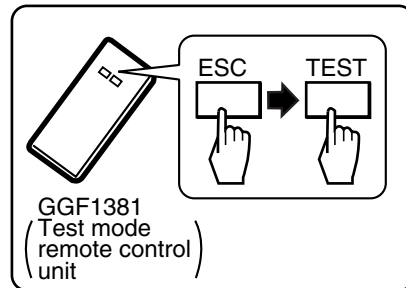
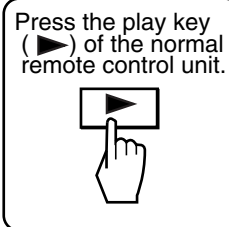


<TRAY CLOSE>



TEST MODE: PLAY

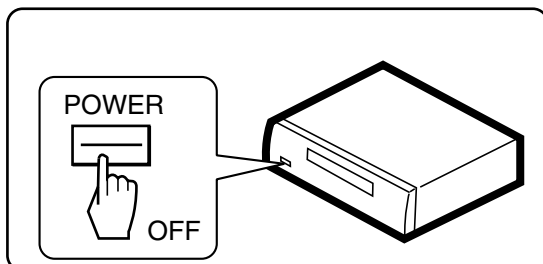
<PLAY>



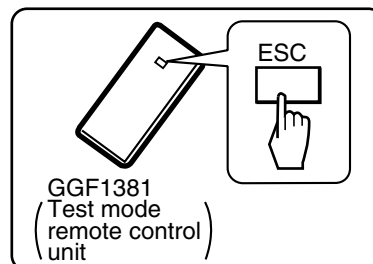
Notes:

- After going into test mode, if you play back the disc, "DISC-NON" is displayed.
- The video signal and the audio signal are outputted during the test mode.
- The SKIP key and the SCAN key are effective during the test mode.

TEST MODE: OFF



OR



6.3 DISC REMOVAL METHOD

DISC REMOVAL METHOD AT NO POWER SUPPLY

1. Remove the Top Cabinet and Front Cabinet. (Refer to item 1 of the DISASSEMBLY INSTRUCTIONS.)
2. Rotate the Main Gear in the direction of the arrow by hand. (Refer to Fig. 1)
3. Draw the Tray.

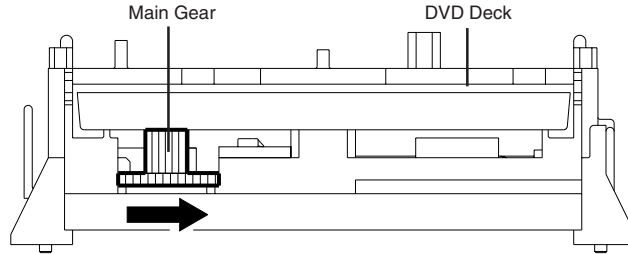


Fig. 1

PARENTAL CONTROL - RATING LEVEL 4 DIGIT PASSWORD CANCELLATION

If the stored 4 digit password in the Rating Level menu needs to be cancelled, please follow the steps below.

1. Set the DVD to the Stand-by Mode.
2. Press and hold the 'STOP' key on the front panel.
3. Simultaneously press and hold the POWER key on the front panel.
4. The 4 digit password has now been cleared.

NOTE: The above procedure will reset ALL of the player's settings to the default factory state.

PREPARATION OF SERVICING

The laser diode used for a pickup head may be destroyed with external static electricity. Moreover, even if it is operating normally after repair, when static electricity discharge is received at the time of repair, the life of the product may be shortened. Please perform the following measure against static electricity, be careful of destruction of a laser diode at the time of repair.

- Place the unit on a workstation equipped to protect against static electricity, such as conductive mat.
- Soldering iron with ground wire or ceramic type is used.
- A worker needs to use a ground conductive wrist strap for body.

7. GENERAL INFORMATION

7.1 DIAGNOSIS

7.1.1 TEST MODE IN

■ Test Mode Functional Specification

① Test mode entry

In the power ON state, press the [ESC] (A8-5F) key and [TEST / RANDOM] (A8-5E) key in order of the Test mode remote control unit.

☞ Light the all FL and LEDs.

☞ OSD displays test mode.

Note:

* When pressing the keys of something, the FL displays "NO DISC" and the LED lighting disappears.

② Release the Test mode

☞ Turn off the power.

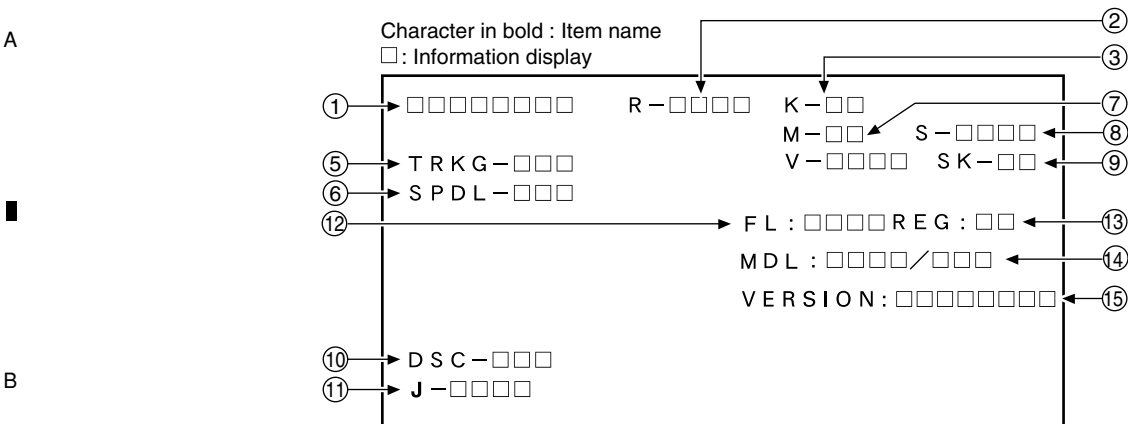
☞ Press the [ESC] (A8-5F) key of the remote control unit.

③ LD ON

DVD : Press the [TEST] (A8-5E) and [1] (A8-01) keys in order, and turn on the laser diode (650nm).

CD : Press the [TEST] (A8-5E) and [4] (A8-04) keys in order, and turn on the laser diode (780nm).

7.1.2 DISPLAY SPECIFICATION OF THE TEST MODE



① Address indication

The address being traced is displayed in number.
(as for the DVD, indication of decimal number is possible.)
DVD : ID indication (hexadecimal number, 8 digits)

[*****]

CD : ID indication [*****]

⑩ Disc sensing [DSC - * * * *]

The type of discs loaded is displayed.
[DVD], [CD], [VCD], []

⑪ Jitter value [J - * * * *]

Note:Don't use it.

② Code indication of remote control unit [R - * * * *]

In case of double code, display a 2nd code.

⑫ Version of the FL controller [FL: * * * *]

⑬ Region setting of the player [REG: *]

Setting value : [1] to [6]

⑤ Tracking status [TRKG - * * * *]

Tracking on : [ON]
Tracking off : [OFF]

⑭ Destination setting of the FL controller

[MDL: * * * * / * * * *]

Four characters in the front represent code 01.
Three characters in the back represent the destination code.
J: /J, K: /KU, /KC, /KU/KC, R: /RL/RD, RAM : /RAM,
LB: /LB, WY: /WY

⑥ Spindle status [SPDL - * * * *]

[OFF], [CLV]

⑮ Version of the flash ROM [VERSION: *****]

⑦ Mechanism (loading) position value [M - * * *]

Unknown : [01] or [41]
Open state : [04]
Close state : [08]
During opening : [12]
During closing : [22]

⑧ Slider position [S - * * * *]

In Side Switch ON : [01]
In Side Switch OFF : [00]

⑨ Output video system [V - * * * *]

NTSC system : [NTSC]
PAL system : [PAL]
Automatic setting : [AUTO]

Scart terminal output [SK - * * *]

(Display only the WY model which can do the output setting
of scart terminal.)

VIDEO : [00]
S-VIDEO : [01]
RGB : [02]

7.1.3 FUNCTIONAL SPECIFICATION OF THE SHORTCUT KEY

Only during normal playback, the following shortcut keys can be assigned by pressing a required key after pressing the ESC key of the remote control unit. To quit, press the ESC key

Command Contents	Conditions	Remote Control Key Name	Remote Control Code
Memory clear and region / revision indication		CLEAR (*1)	A8-45
Average value measurement of DVD error rate		5 (*1)	A8-05
CD error rate measurement		5 (*1)	A8-05
Scart terminal output : VIDEO	WY, models equipped with Scart terminal	AUDIO	AF-BE
Scart terminal output : S-VIDEO		SUBTITLE	AF-36
Scart terminal output : RGB		ANGLE	AF-B5
Progressive OFF	Only for progressive models	R_SKIP	A3-9D
Progressive ON		F_SKIP	A3-9C
ZOOM ON (X2 -> X4 -> x1)		ZOOM	AF-37
Service mode indication (error rate indication, etc.)		CHP/TIM (*1)	A8-13
Model information indication		CHAP (*1)	A8-40
Title search Input mode IN Title No. input Search execution		SIDE A (*1) Numbers (*1) PLAY (*1)	A8-4D A8-00 to A8-09 A8-17
Region confirmation mode		A.MON (*1) Numbers (*1)	A8-1E A8-01 to A8-08

*1 : Test mode remote control unit

• Service mode indication (ESC + CHP/TIM keys)

ID Address

The error rate is always displayed in exponential notation, e.g., *. * * e - *, for both DVDs and CDs.
EDC/ID/AV 1 error history (ID Address, EDC/ID Error, last eight errors)

• Calculation of the average error rate (ESC + "5" [Test mode remote control unit] keys)

The average of the last eight error rates is calculated and indicated in exponential notation. After the calculation is completed, "OK" or "NG" is displayed. If "NG" is displayed, the disc tray will open (for both DVDs and CDs)
For DVDs: OK with 5.0e-4 or less, for CDs: OK with 7.6e-3 or less

• Indication of model information (ESC + CHAP keys)

The items from 12 to 15 of the TEST MODE Indications are displayed. However, in the indications, S in the standard test mode is changed to CHIP VERSION, and M is changed to RF VERSION. For details, see 7.1.4.

• Region confirmation mode (ESC + A.MON [Test mode remote control unit] + "1"- "8" [Test mode remote control unit] keys)

After you press the A.MON key while holding the ESC key pressed and then input the region number, if the number is different from that set in the unit, an error message is displayed, and the tray opens.

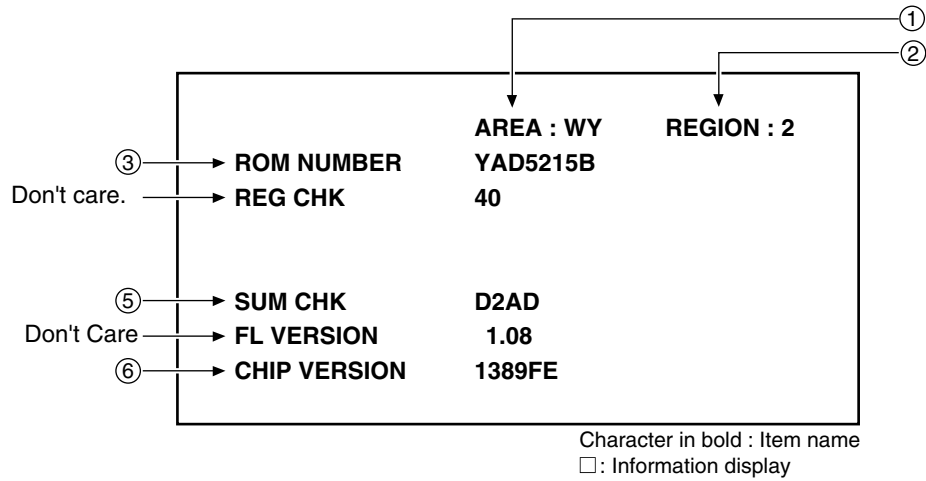
7.1.4 SPECIFICATION OF MODEL INFORMATION DISPLAY

To display model information : Press the ESC key then the CHAP key.

To close the model information display : Press the ESC key.

A

• Display contents



B

C

① Destination indication

Display it according to model information set from the FL Driver IC.

② Region No.

③ ROM number

Rom display Version.

⑤ SUM CHKSUM value of E2P ROM displays with four places.

Calculation range : TV_COMP_POS (65d) – LAST_TV_SYSTEM_POS (151d)

D

⑥ CHIP VERSION

E

F

7.1.5 FUNCTIONAL SPECIFICATION OF THE SERVICE MODE

• Display during Service Mode

To enter Service Mode, press the CHP/TIM key while holding the ESC key pressed.
To quit, press the ESC key.

Service mode display

- ① ID Address
- ② Error rate (always displayed), in exponential notation

ERROR RATE : * * * * *

(* * * *)

↑
Number of error

- Calculation of the average error rate

For DVDs: OK with 5.0e-4 or less, for CDs: OK with 7.6e-3 or less

ex) For DVDs

- Step 1

$\Delta\Delta e - \square$

$\Delta\Delta e -6$: OK

$\Delta\Delta e -5$: OK

$\Delta\Delta e -4$: Refer to Step 2

$\Delta\Delta e -3$: NG

$\Delta\Delta e -2$: NG

- Step 2

$\Delta\Delta e -4$

3.0e -4 : OK

4.0e -4 : OK

5.0e -4 : OK

6.0e -4 : NG

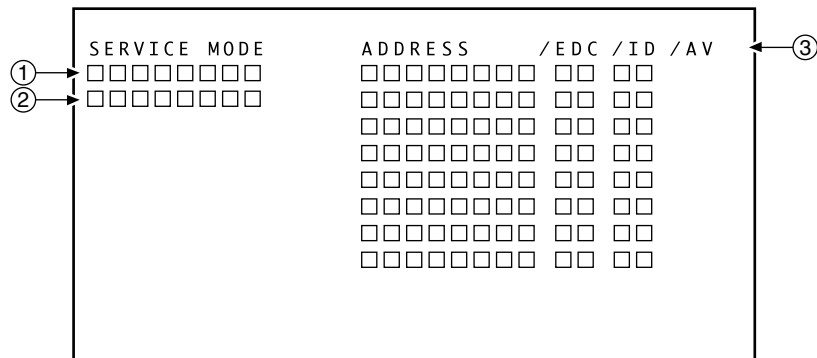
7.0e -4 : NG

- ③ EDC/ID error history (ID Address, EDC/ID errors, last eight errors)

Note:

* Error of AV1 is not supported in this player.

Indication plan contents



Character in bold : Item name

\square : Information display

7.1.6 METHOD FOR DIAGNOSING DEGRADATION OF THE LDS ON THE PICKUP ASSY

Case when this diagnosis is required :

When playback of any disc, including a test disc (DVD: GGV1025, CD: STD-905), cannot be performed

How to diagnose

In the case mentioned above, degradation of the laser diodes (LDs) mounted on the PICKUP Assy is suspected. Measure the voltage between the two ends of one of the resistors mentioned below.

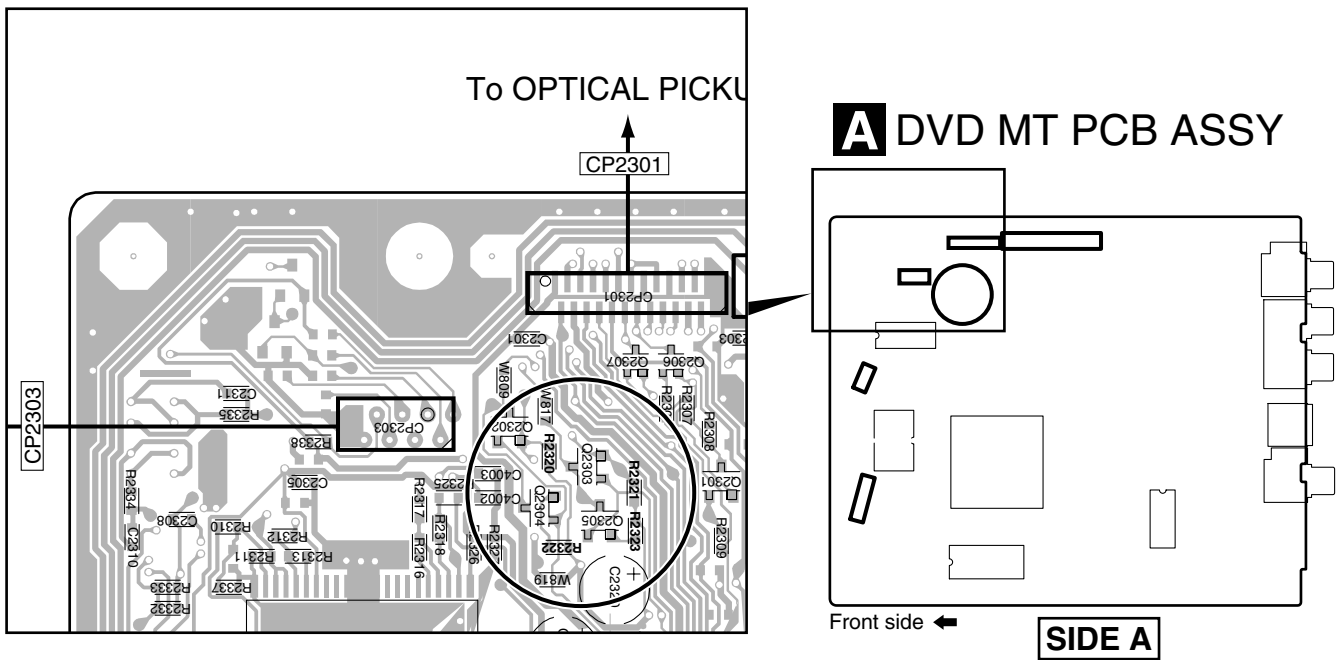
• No playback of a DVD :

Measure the voltage between the two ends of R2321 or R2323 on the DVDM Assy. If the voltage is 0.4 V or higher, the 650-nm LD is degraded.

• No playback of a CD :

Measure the voltage between the two ends of R2320 or R2322 on the DVDM Assy. If the voltage is 0.4 V or higher, the 780-nm LD is degraded.

If the measurements show degradation of an LD, replace the PICKUP Assy.



7.1.7 TROUBLE SHOOTING

No.	Symptoms	Diagnosis Contents	Possible Defective Points
1	The power is not turned on.	Check the voltage of AT+3.3V, -28V and FLDC on the POWER SUPPLY Unit.	POWER PCB ASSY
		Are wires of output connector (POWER PCB ASSY) and CP4003 (DVDM Assy) disconnected or damaged ?	Connector / cable
		Check that the voltage at IC651-pin 10 (K 1) on the FLKY Assy becomes about 2.7V when the POWER key is pressed and 0 V when it is released.	OPERATION 2 Assy Tact SW (when operation of only the POWER key on the main unit is not accepted)
		Check that the voltage at OS651-pin 1 (IR) on the OPERATION1 Assy is in the range between 0 and 3.3 V while receiving signals from the remote control unit when any key on it is pressed.	FLKY Assy Remote receiver section (when operation of only the POWER key on the remote control unit is not accepted)
2	An opening screen is not displayed on the monitor (The FL display lights. The mechanism does not work.)	<ul style="list-style-type: none"> • Check the voltage of E+6.8V and SW+3.3V on the POWER SUPPLY Unit. • Check the voltage of P.ON-H is about 2.8V on the POWER SUPPLY Unit. 	POWER SUPPLY Unit
		Check that the following voltage are output : IC4006-pin 5 : 1.8V, on the DVD MT PCB Assy.	DVD MT PCB Assy 1.8V Regulator IC (IC4006)
		Is a resonator (X4001 : 27MHz) on the DVDM Assy oscillating ?	DVD MT PCB Assy Crystal resonator (X4001)
		<ul style="list-style-type: none"> • Is a signal input into IC603-pin26 (PCE#) on the DVDM Assy ? (Is a signal "H" for 80 mS and then "L" after the power is turned on ?) → Communication with flash ROM. • Are the signals input into IC4005-pin 16 (DWE#), pin 19 (DCS#) and pin 38 (SDCLK) on the DVDM Assy ? (Is a signal fluctuating ?) → Communication with SDRAM 	DVD MT PCB Assy DVD IC (IC4002) Flash ROM (IC4004) SDRAM (IC4005)
		Is a signal output from IC4004-pin 28 (PRD#) on the DVD MT Assy? (Is a signal fluctuating for several hundred mS after the power is turned on ?)	DVD MT PCB Assy Flash ROM (IC4004)
		Are the signals of IC4001-pin 5(SDA) and pin 6(SCL) on the DVDM Assy fluctuating for one or two seconds after the power is turned ?	DVD MT PCB Assy EEPROM (IC4001)
3	An opening screen is not displayed on the monitor (The FL display lights. The mechanism does not work.)	Check the video signal path between DVD IC (DVD MT Assy IC4002) and video-out terminal (see the block diagram)	DVD MT PCB Assy Video circuit after DVD IC (IC4002)

No.	Symptoms	Diagnosis Contents	Possible Defective Points
A	4 A tray cannot be opened. (An opening screen is displayed on the monitor)	Does the voltage of CP2302-pin 3 and pin 1 on the DVD MT Assy change normally ? Pin 5 (SW2(TRIN)): Tray is fully closed: "L" Pin 3 (SW1(TROUT)): Tray is fully opened: "L"	Tray SW
		Is a LOAD-DRV signal reaching ?	DVD MT PCB Assy DVD IC (IC4002)
		Are the signals output from IC101-pin 36 and pin 37 (CN103-pin 1 and pin 2) on the DVDM Assy ? Pin 4: Approx. 45V during opening tray approx. 0V during closing tray. Pin 5: Approx. 0V during opening tray approx. 4.5V during closing tray.	DVD MT PCB Assy FTS Driver IC (IC2301)
		Are wires of CP2302 and CP2303 on the DVDM Assy disconnected or damaged ?	Connector / cable
		Does the voltage of CD2301-pin 5 change by pressing the Inside switch.	Inside switch
B	5 Playback impossible (no focusing)	Are the signals output from IC2301-pin 9 (F+) and pin 8 (F-) on the DVDM Assy ?	DVD MT PCB Assy FTS Driver IC (IC2301)
		Does 650-nm LD emit light ? Does a pickup lens move up / down ? Does an actuator spring bend ?	Pickup
		Are plastic parts damaged ? Or is a shaft detached ? Is the turntable detached or tilted ?	Mechanism section (motor)
		Is flexible cable of CP2301 on the DVD MT Assy disconnected or damaged ?	Flexible cable / connector
		Is signal output from IC4002-pin 42 (FOSO) on the DVDM Assy ? (Device control of about 1.4 V is output usually. It is fluctuated by about ± 250 mV with focus up / down.)	DVD MT PCB Assy DVD IC (IC4002)
		C	6 Playback impossible (Spindle does not turn)
Is there any part detached from the spindle motor ? Or Is there any foreign object lodged in it ?	Mechanism section (Spindle motor)		
Are wires of CP2303 on the DVD MT Assy disconnected or damaged ?	Flexible cable / connector		
Is signal output from IC4002-pin 37 (DMSO) on the DVDM Assy ?	DVD MT PCB Assy DVD IC (IC4002)		
D	7 Playback impossible (Playback stops)	Does 650-nm LD deteriorate ? If the voltage at each both ends of R2303 and R2305 on the DVD MT Assy is 0.4 V or more, the 650-nm LD is definitely deteriorated.	650-nm LD deteriorated. (When playback of a DVD is impossible)
		Does 780-nm LD deteriorate ? If the voltage at each both ends of R2302 and R2304 on the DVD MT Assy is 0.4 V or more, the 780-nm LD is definitely deteriorated.	780-nm LD deteriorated. (When playback of a CD is impossible)
		Are there scratches or dirt on the disc ?	Disc
E	8 Picture disturbance during playback (block noise, freeze, other)	Are there scratches or dirt on the disc ? Is there a problem with the format of the disc ?	Disc
		9 No sound (Picture is normal)	Check the waveform (ABCK, ALRCK, ACLK, ASDATA).
			Is signal output from IC8004-pin 7 and pin 8 on the DVD MT Assy ?

● Symptoms That May Occur When Any Of The Following ICs Is In Failure

IC	Symptoms
EEP ROM (DVD MT Assy : IC4001)	User's data cannot be stored in memory. The ID number is lost.
16M Flash ROM (DVD MT Assy : IC4004)	The power cannot be turned on. Downloading of the firmware cannot be performed.
DVD IC (DVD MT Assy : IC4002)	Any kind of symptoms (no power, a failure in any of the servo, video and audio systems, etc.) may be generated, because the DVD processing is performed by a single chip.
64M SDRAM (DVD MT Assy : IC4005)	No power. Block noise is generated during playback.

REMOVAL OF MECHANICAL PARTS AND P.C. BOARDS

1-1: TOP CABINET/FRONT CABINET/OPERATION 1/2PCB (Refer to Fig. 1-1)

1. Remove the 5 screws ①.
2. Remove the Top Cabinet in the direction of arrow (A).
3. Disconnect the following connector: (CP4002).
4. Unlock the 4 supports ②.
5. Remove the Front Cabinet in the direction of arrow (B).
6. Remove the 11 screws ③.
7. Remove the Operation 1/2 PCB in the direction of arrow (C).

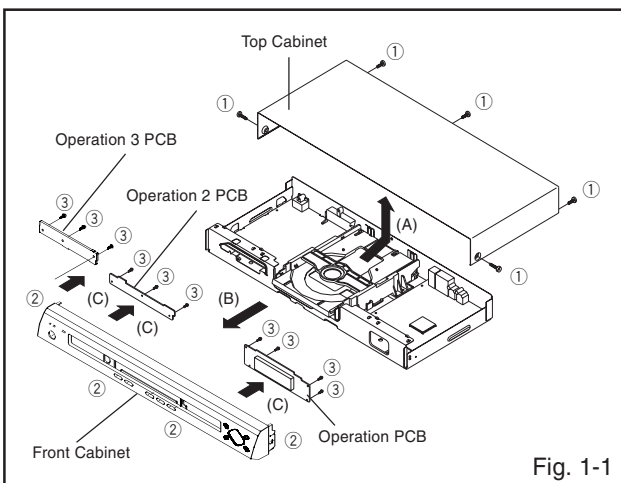


Fig. 1-1

1-2: POWER PCB (Refer to Fig. 1-2)

1. Disconnect the following connectors: (CP4003, CP8001).
2. Remove the 2 screw ①.
3. Remove the 4 screws ②.
4. Remove the Power PCB in the direction of arrow.

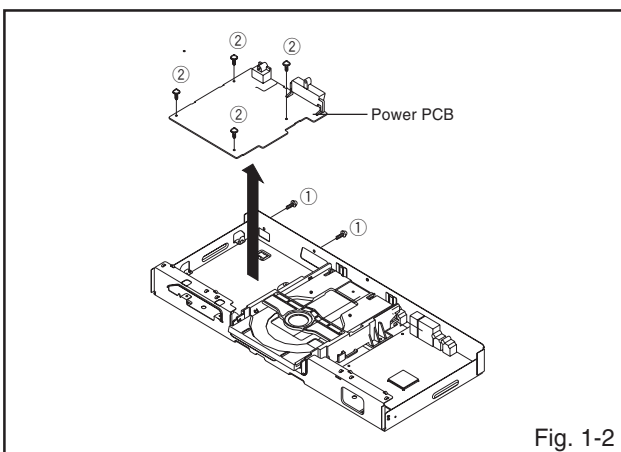


Fig. 1-2

1-3: DVD DECK (Refer to Fig. 1-3)

1. Short circuit the position shown in Fig. 1-3 using a soldering iron. If you remove the DVD Deck with no soldering, the Laser may be damaged.
2. Disconnect the following connectors: (CP2301, CP2302, CP2303).
3. Remove the 4 screws ①.
4. Remove the DVD Deck in the direction of arrow.

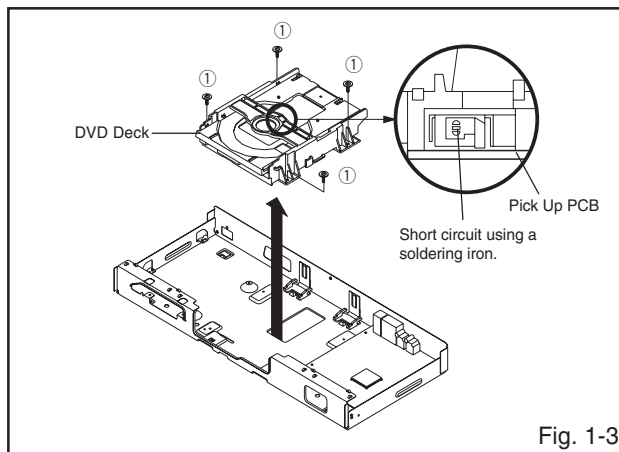


Fig. 1-3

NOTE

1. Before your operation, please read "PREPARATION OF SERVICING".
2. Use the Lead Free solder.
3. Manual soldering conditions
 - Soldering temperature: $320 \pm 20^{\circ}\text{C}$
 - Soldering time: Within 3 seconds
 - Soldering combination: Sn-3.0Ag-0.5Cu
4. When Soldering/Removing of solder, use the drawing equipment over the Pick Up Unit to prevent the Flux smoke from it.
5. When installing the DVD Deck, remove all the soldering on the short circuit position after the connection of Pick Up PCB and DVD PCB connector.

1-4: DVD PCB (Refer to Fig. 1-4)

1. Remove the 4 screws ①.
2. Remove the 4 screws ②.
3. Remove the DVD PCB in the direction of arrow.

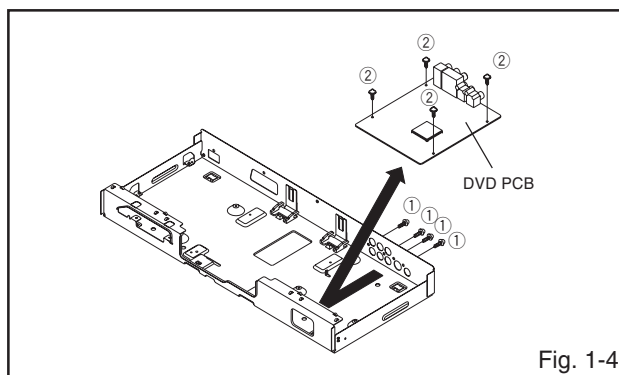


Fig. 1-4

REMOVAL OF DVD DECK PARTS

A

NOTE

- Do not disassemble the DVD DECK PARTS except listed parts here. Minute adjustments are needed if the disassemble is done. If the repair is needed except listed parts, replace the DVD MECHA ASS'Y.

2-1: TRAY (Refer to Fig. 2-1-A)

- Set the Tray opened. (Refer to the DISC REMOVAL METHOD AT NO POWER SUPPLY)
- Unlock the 3 supports ① and draw it while sagging the Tray.

B

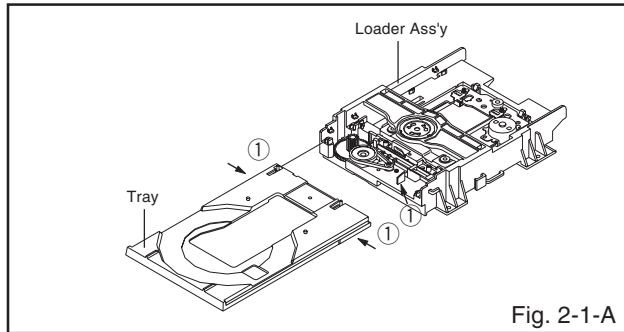


Fig. 2-1-A

C

NOTE

- In case of the Tray installation, install them as the circled section of Fig. 2-1-B so that the each markers are met.

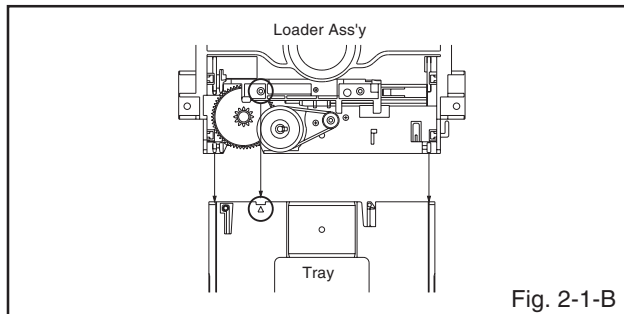


Fig. 2-1-B

D

2-2: TRAVERSE ASS'Y (Refer to Fig. 2-2-A)

- Remove the screw ①.
- Unlock the 2 supports ②.
- Remove the Insulator (R) from the Loader Sub Ass'y.
- Remove the Traverse Ass'y.

E

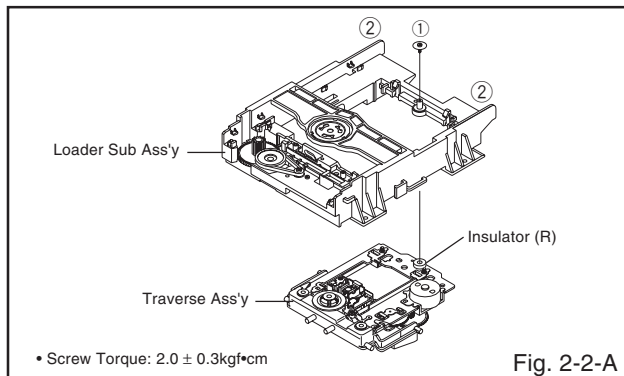


Fig. 2-2-A

F

NOTE

- In case of the Traverse Ass'y, install it from (1) to (4) in order. (Refer to Fig. 2-2-B)
- In case of the Traverse Ass'y installation, hook the wire on the Loader Ass'y as shown Fig. 2-2-C.

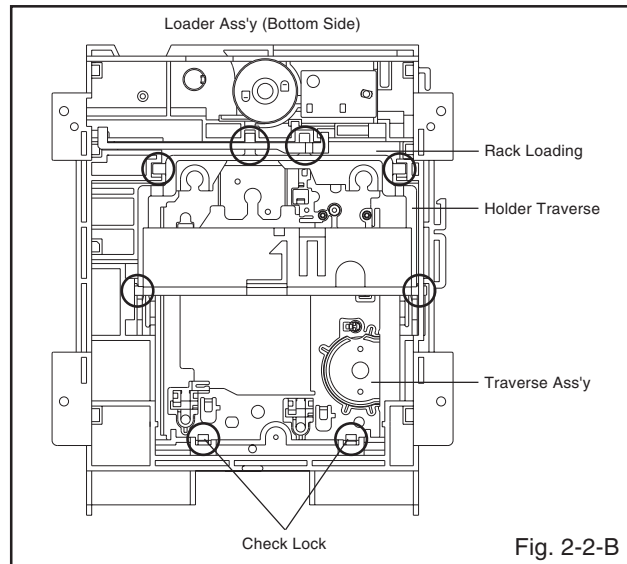


Fig. 2-2-B

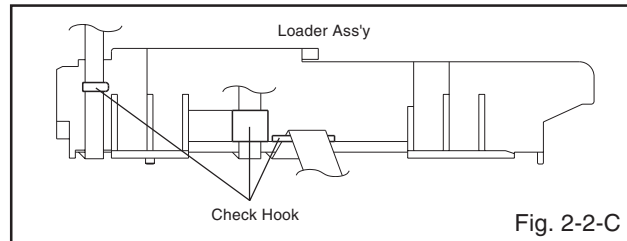


Fig. 2-2-C

2-3: LOADING MOTOR PCB ASS'Y/ LOADING BELT (Refer to Fig. 2-3-A)

- Remove the Loading Belt.
- Remove the screw ①.
- Remove the Loading Motor PCB Ass'y.
- Remove the 2 screws ②.
- Remove the Loading Motor.
- Remove the Gear Pulley.

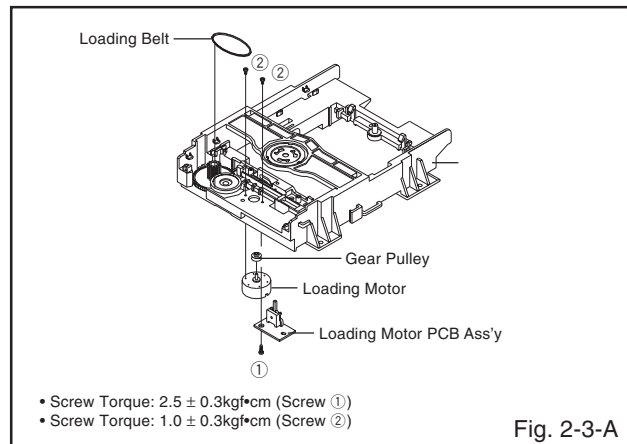


Fig. 2-3-A

- Screw Torque: $2.5 \pm 0.3\text{kg}\cdot\text{cm}$ (Screw ①)
- Screw Torque: $1.0 \pm 0.3\text{kg}\cdot\text{cm}$ (Screw ②)

NOTE

1. In case of the Pulley Motor installation, check if the value of the Fig. 2-3-B is correct.
2. When installing the wire of the Loading Motor PCB Ass'y, install it correctly as Fig. 2-3-C.
Manual soldering conditions
 - Soldering temperature: $350 \pm 5^\circ\text{C}$
 - Soldering time: Within 4 seconds
 - Soldering combination: Sn-3.0Ag-0.5Cu
3. When installing the Loading Motor PCB Ass'y, install it correctly as Fig. 2-3-D.
4. In case of the Loading Motor PCB Ass'y installation, hook the wire on the Loader Sub Ass'y as shown Fig. 2-3-E.

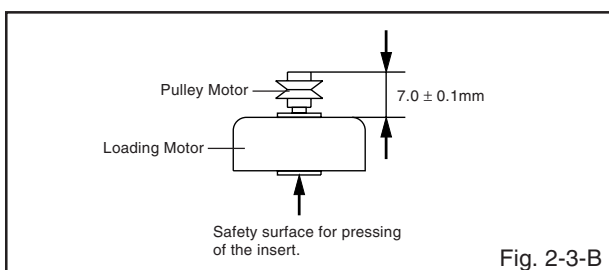


Fig. 2-3-B

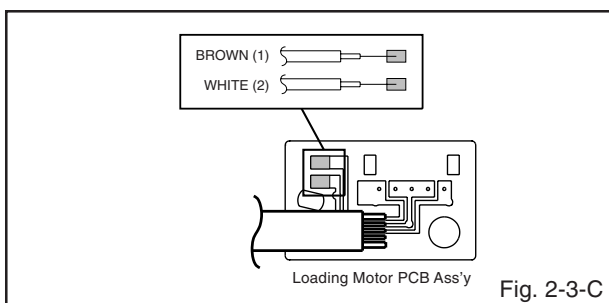


Fig. 2-3-C

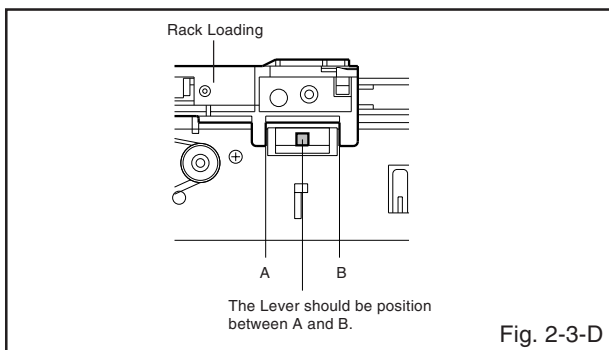


Fig. 2-3-D

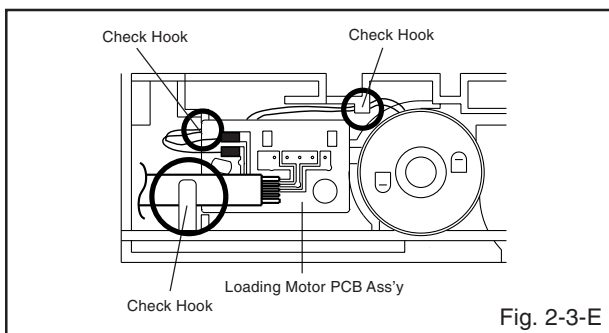


Fig. 2-3-E

2-4: RACK LOADING/MAIN GEAR/PULLEY GEAR (Refer to Fig. 2-4-A)

1. Unlock the support ① and remove the Gear Pulley.
2. Remove the Gear Main.
3. Press down the catcher ② and slide the Rack Loading.

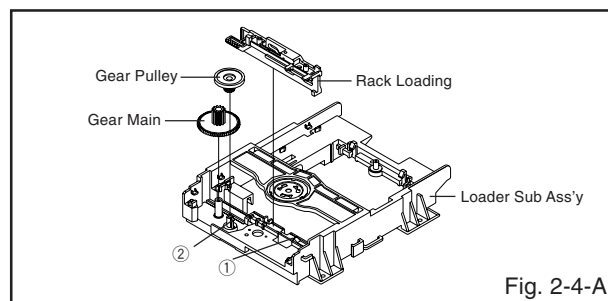


Fig. 2-4-A

NOTE

1. In case of the Rack Loading installation, hook the Rack Loading on the Loader Sub Ass'y as shown Fig. 2-4-B.
2. When installing the Gear Main, take care the direction of up or down as shown Fig. 2-4-C.

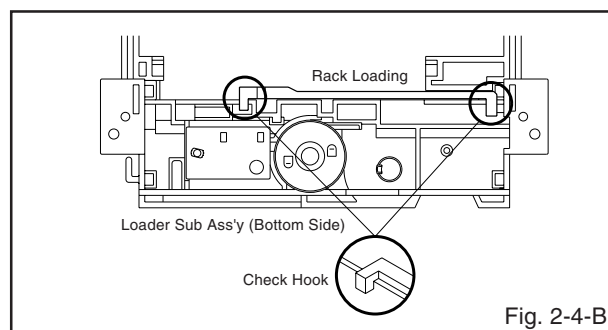


Fig. 2-4-B

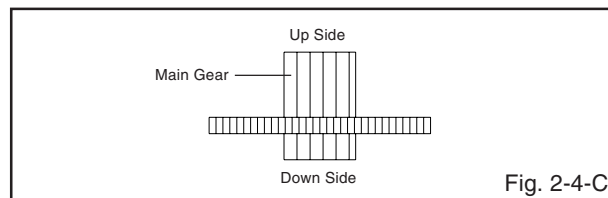


Fig. 2-4-C

2-5: CLAMPER ASS'Y (Refer to Fig. 2-5-A)

1. Press the Clamper and rotate the Plate Clamper clockwise, then unlock the 3 supports ①.
2. Remove the Plate Clamper, Magnet Clamper and Clamper.

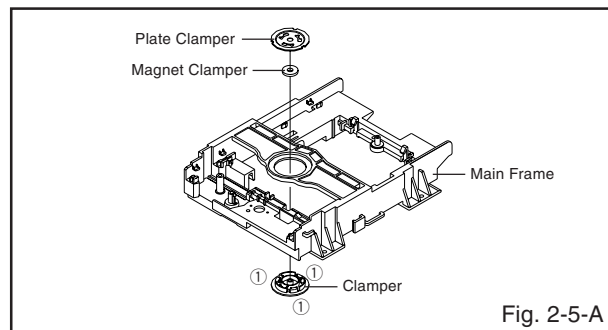


Fig. 2-5-A

NOTE

1. In case of the Clamper Ass'y installation, install correctly as Fig. 2-5-B.

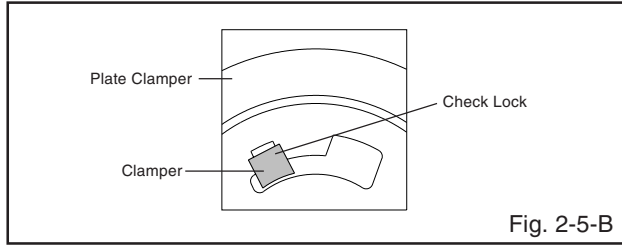


Fig. 2-5-B

2-6: HOLDER TRAVERSE/INSULATOR (F)/INSULATOR (R) (Refer to Fig. 2-6-A)

1. Remove the Holder Traverse.
2. Remove the 2 Insulator (F).
3. Remove the Insulator (R).

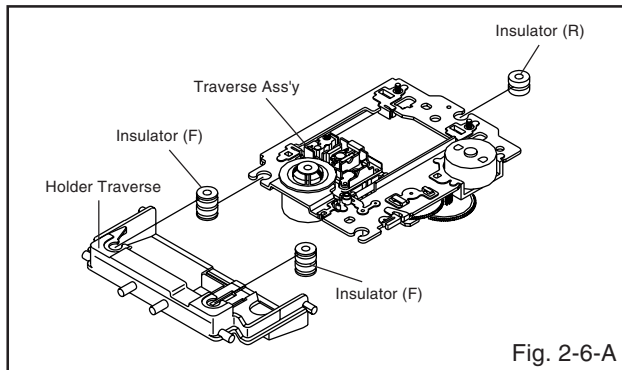


Fig. 2-6-A

NOTE

1. In case of the Insulator (F) installation, install correctly as Fig. 2-6-B.

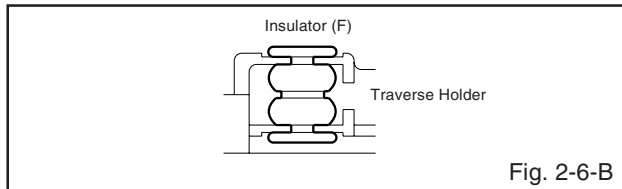


Fig. 2-6-B

2-7: SWITCH PCB ASS'Y/GEAR MIDDLE/GEAR FEED/RACK FEED ASS'Y/FEED MOTOR (Refer to Fig. 2-7-A)

1. Unlock the support ①.
2. Remove the Gear Middle.
3. Remove the screw ②.
4. Remove the Rack Feed Ass'y.
5. Remove the screw ③.
6. Remove the Switch PCB Ass'y.
7. Remove the screw ④.
8. Remove the Gear Feed.
9. Remove the 2 screws ⑤.
10. Remove the Feed Motor.
11. Remove the Gear Motor.

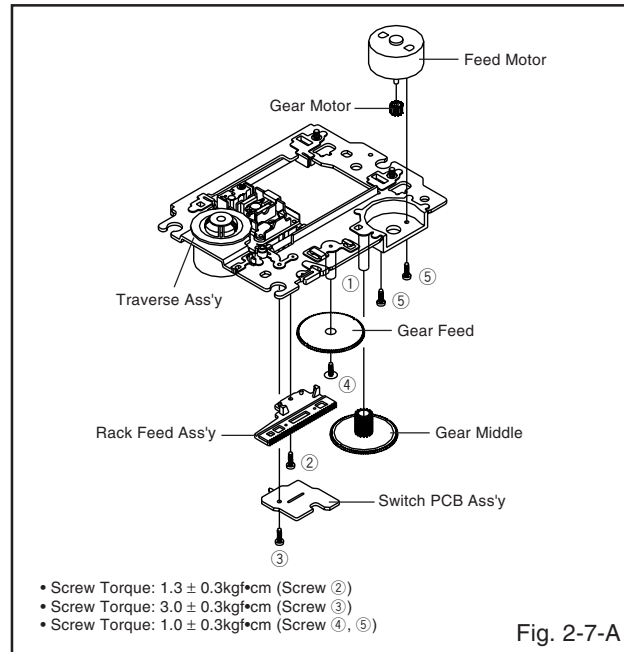


Fig. 2-7-A

NOTE

1. When installing the Rack Feed Ass'y, push both ends to align the teeth as shown Fig. 2-7-B. Then install it.
2. In case of the Gear Motor installation, check if the value of the Fig. 2-7-C is correct.
3. When installing the wire of the Switch PCB Ass'y, install it correctly as Fig. 2-7-D.

Manual soldering conditions

- Soldering temperature: $350 \pm 5^\circ\text{C}$
 - Soldering time: Within 4 seconds
 - Soldering combination: Sn-3.0Ag-0.5Cu
4. After the assembly of the Traverse Ass'y, hook the wire on the Traverse Ass'y as shown Fig. 2-7-E.

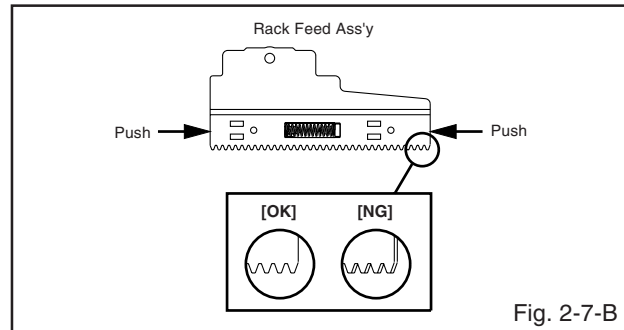


Fig. 2-7-B

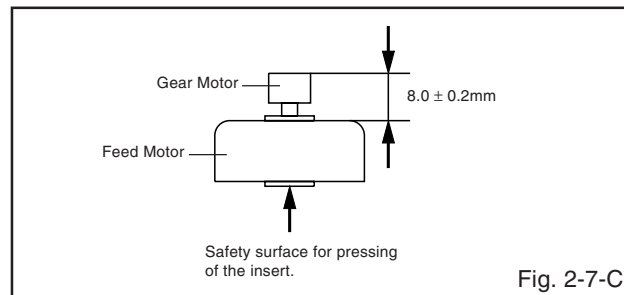
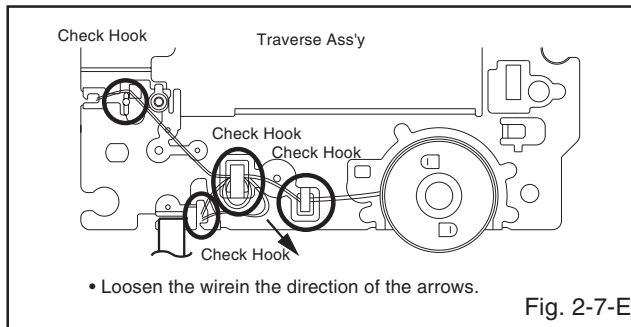
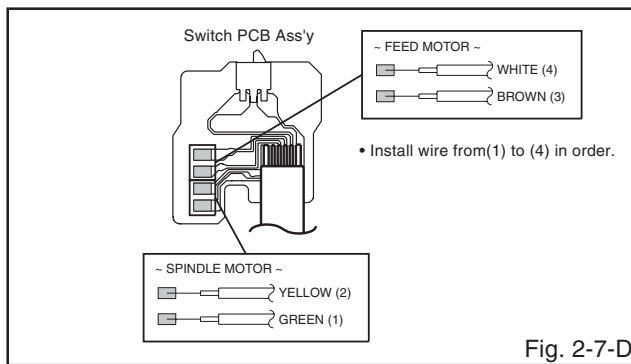


Fig. 2-7-C

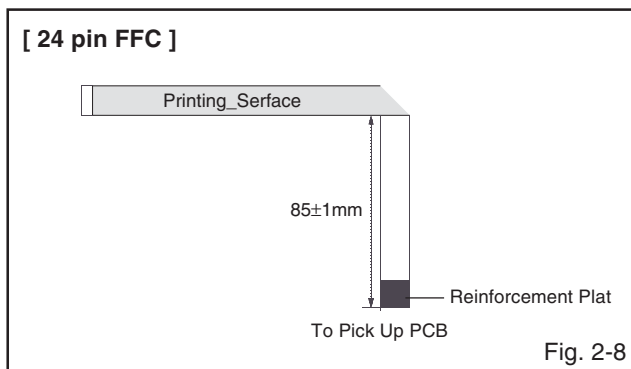


2-8: FFC WIRE HANDLING

1. When installing the FFC, fold it correctly and install it as shown from Fig. 2-8.

NOTE

1. Do not make the folding lines except the specified positions for the FFC.



7.3 IC INFORMATION

The information shown in the list is basic information and may not correspond exactly to that shown in the schematic diagrams.

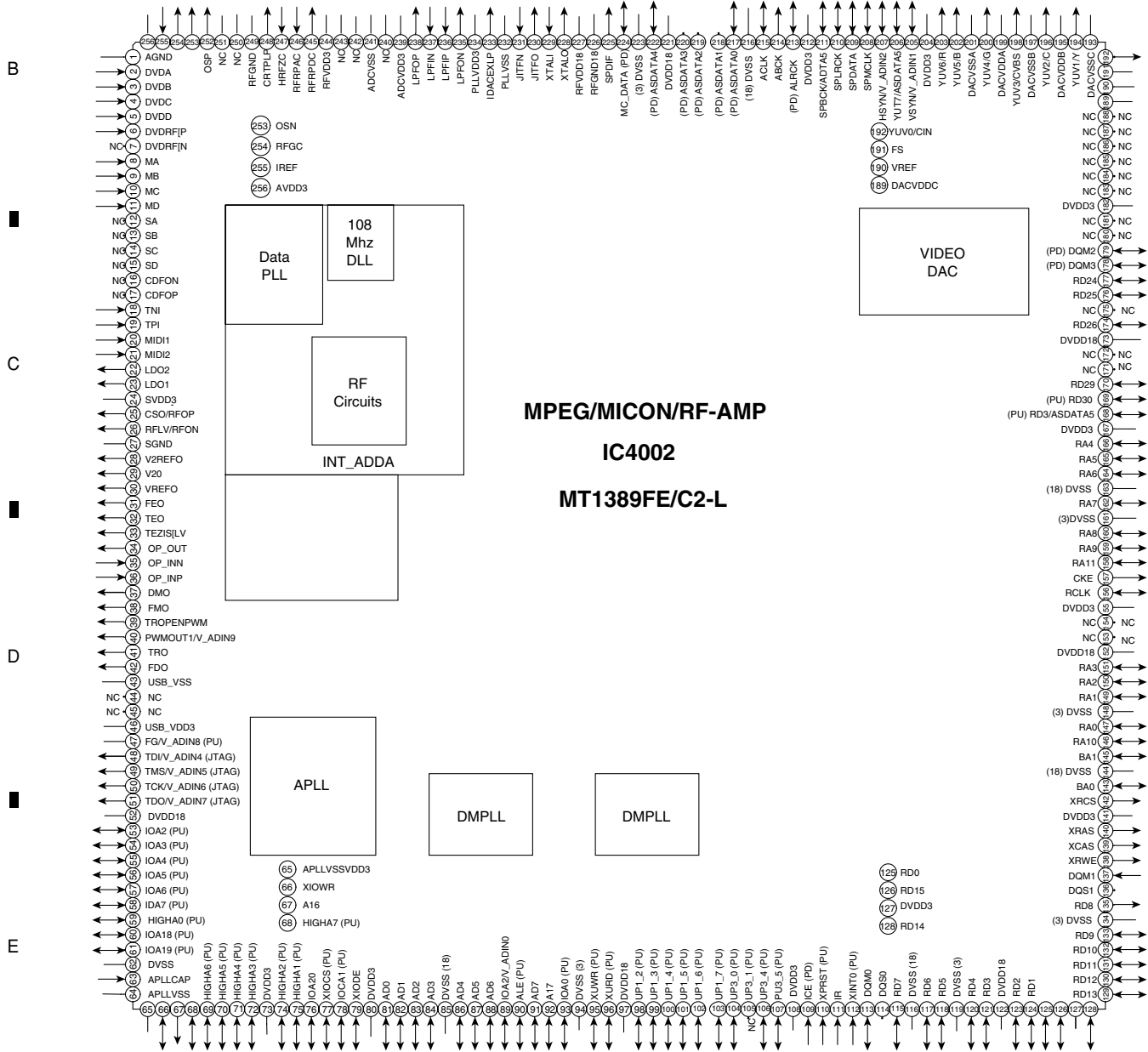
List of IC

MT1389FE, LA6565, PT6315

MT1389FE (DVD MT ASSY: IC4002)

MPEG / MICON / RF-AMP

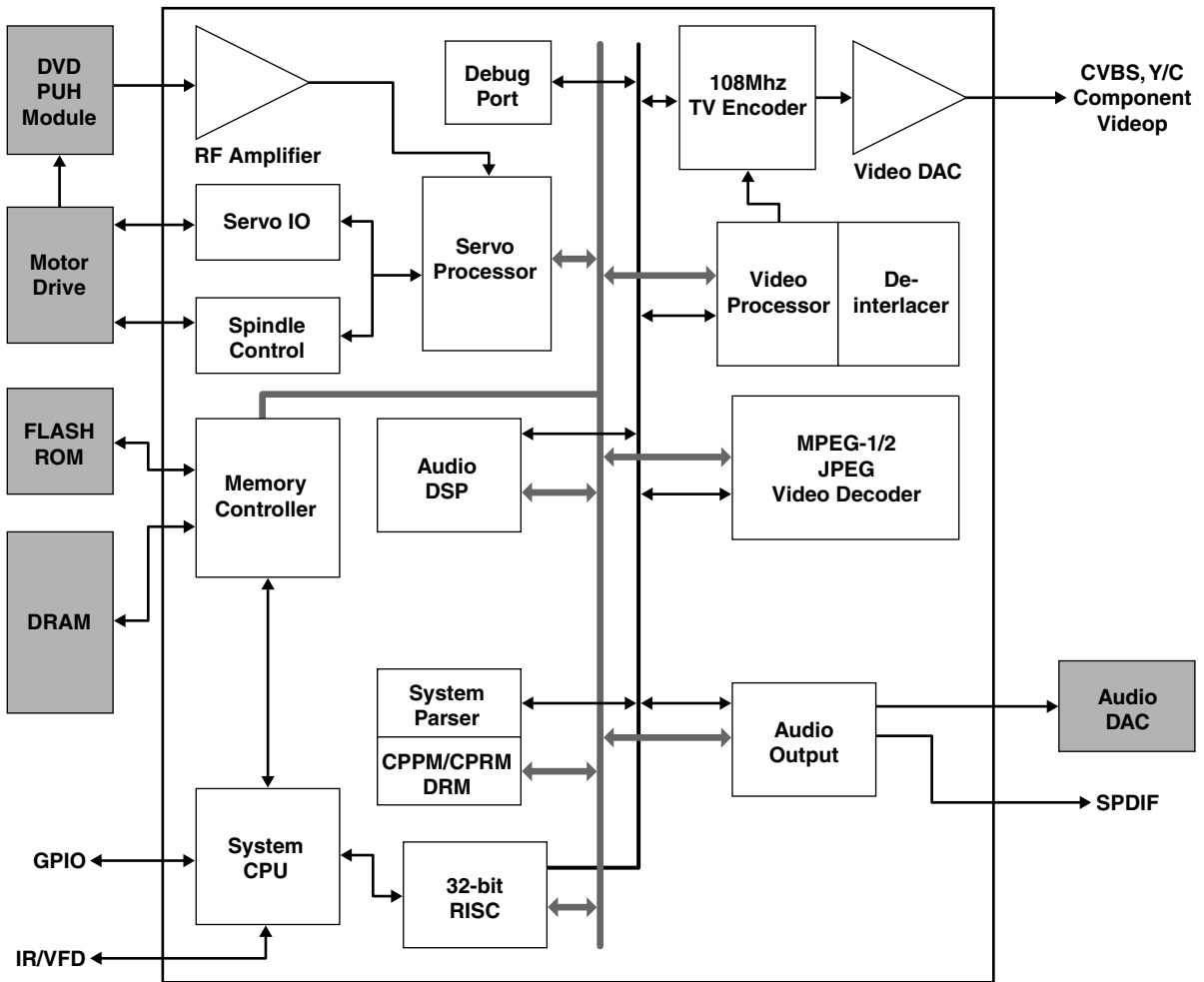
Pin Arrangement (Top view)



MPEG/MICON/RF-AMP
IC4002
MT1389FE/C2-L

• MPEG / MICON / RF-AMP Microcomputer

• Block Diagram



A
B
C
D
E
F

MT1389FE/C2-L (DVD MT ASSY : IC4002)

• MPEG/MICON/RF-AMP CPU

● Pin Function

No.	Pin Name	I/O	Pin Function	No.	Pin Name	I/O	Pin Function
1	AGND	–	Analog ground	48	TDI	I	Serial interface port 3 data-out Version AD input port 4 GPIO
2	DVDA	I	AC coupled input path A	49	TMS	I	Serial interface port 3 data-in Version AD input port 5 GPIO
3	DVDB	I	AC coupled input path B	50	TCK	I	Serial interface port 3 clock pin Version AD input port 6 GPIO
4	DVDC	I	AC coupled input path C	51	TDO	I	Serial interface port 3 chip-select Version AD input port 7 GPO
5	DVDD	I	AC coupled input path D	52	DVDD18	–	1.8V power pin for internal digital circuitry
6	DVDRFIP	I	AC coupled DVD RF signal input RFIP	53	IOA2	I/O	Microcontroller address 2/I/O
7	DVDRFIN	I	AC coupled DVD RF signal input RFIN	54	IOA3	I/O	Microcontroller address 3/I/O
8	MA	I	DC coupled main-beam RF signal input A	55	IOA4	I/O	Microcontroller address 4/I/O
9	MB	I	DC coupled main-beam RF signal input B	56	IOA5	I/O	Microcontroller address 5/I/O
10	MC	I	DC coupled main-beam RF signal input C	57	IOA6	I/O	Microcontroller address 6/I/O
11	MD	I	DC coupled main-beam RF signal input D	58	IOA7	I/O	Microcontroller address 7/I/O
12	SA	I	DC coupled sub-beam RF signal input A	59	HIGHA0	I/O	Microcontroller address 8
13	SB	I	DC coupled sub-beam RF signal input B	60	IOA18	I/O	Flash address 18/I/O
14	SC	I	DC coupled sub-beam RF signal input C	61	IOA19	I/O	Flash address 19/I/O
15	SD	I	DC coupled sub-beam RF signal input D	62	DVSS	–	3.3V Ground pin for internal digital circuitry
16	CDFON	I	CD focusing error negative input	63	APLLCAP	I	APLL External Capacitance connection
17	CDFOP	I	CD focusing error positive input	64	APLLVSS	–	Ground pin for studio clock circuitry
18	TNI	I	3 beam satellite PD signal negative input	65	APLLVDD3	–	3.3V Power pin for audio clock circuitry
19	TPI	I	3 beam satellite PD signal positive input	66	IOWR#	I/O	Flash write enable, active low/I/O
20	MDI1	I	Laser power monitor input	67	A16	O	Flash address 16
21	MDI2	I	Laser power monitor input	68	HIGHA7	I/O	Microcontroller address 15
22	LDO2	O	Laser driver output	69	HIGHA6	I/O	Microcontroller address 14
23	LDO1	O	Laser driver output	70	HIGHA5	I/O	Microcontroller address 13
24	SVDD3	–	Analog power 3.3V	71	HIGHA4	I/O	Microcontroller address 12
25	CSO	O	Central servo/Positive main beam summing output	72	HIGHA3	I/O	Microcontroller address 11
26	RFLVL	O	RFRP low pass, or Negative main beam summing output	73	DVDD3	–	3.3V power pin for internal digital circuitry
27	SGND	–	Analog ground	74	HIGHA2	I/O	Microcontroller address 10
28	V2REFO	–	Reference voltage 2.8V	75	HIGHA1	I/O	Microcontroller address 9
29	V20	I/O	Reference voltage 2.0V	76	IOA20	I/O	Flash address 20/I/O
30	VREFO	I/O	Reference voltage 1.4V	77	IOCS#	I/O	Flash chip select, active low/I/O
31	FEO	O	Focus error monitor output	78	IOA1	I/O	Microcontroller address 1/I/O
32	TEO	O	Tracking error monitor output	79	IOOE#	I/O	Flash output enable, active low/I/O
33	TEZISLV	I/O	TE Slicing Level	80	DVDD3	–	3.3V power pin for internal digital circuitry
34	OP_OUT	O	Op amp output	81	AD0	I	Microcontroller address/data 0
35	OP_INN	I	Op amp negative input	82	AD1	I	Microcontroller address/data 1
36	OP_INP	I	Op amp positive input	83	AD2	I	Microcontroller address/data 2
37	DMO	O	Disk motor control output. PWM output	84	AD3	I	Microcontroller address/data 3
38	FMO	O	Feed motor control. PWM output	85	DVSS	–	1.8V Ground pin for internal digital circuitry
39	TROPENP/WM	O	Tray PWM output/Tray open output	86	AD4	I	Microcontroller address/data 4
40	PWMOUT1	O	1 st General PWM output, or Version AD input9	87	AD5	I	Microcontroller address/data 5
41	TRO	O	Tracking servo output. PDM output of tracking servo compensator.	88	AD6	I	Microcontroller address/data 6
42	FOO	O	Focus servo output. PDM output of focus servo compensator	89	IOA21	I/O	Flash address 21/I/O While External FLASH size <= 2MB: Version AD input port 0, or GPIO
43	DVSS	–	1.8V Ground pin for internal digital	90	ALE	I/O	Microcontroller address latch enable
44	NC	–	–				
45	NC	–	–				
46	DVDD3	–	3.3V power pin for internal digital circuitry				
47	FG(Digital pin)	–	Motor Hall sensor input, or Version AD input 8				

No.	Pin Name	I/O	Pin Function	No.	Pin Name	I/O	Pin Function
91	AD7	I	Microcontroller address/data 7	137	DQM1	I/O	Data mask 1
92	A17	O	Flash address 17	138	RWE#	O	DRAM Write enable, active low
93	IOA0	I/O	Microcontroller address 0/IO	139	CAS#	O	DRAM column address strobe, active low
94	DVSS	–	3.3V Ground pin for internal digital circuitry	140	RAS#	O	DRAM row address strobe, active low
95	UWR#	I	Microcontroller write strobe, active low	141	DVDD3	–	3.3V power pin for internal digital circuitry
96	URD#	I	Microcontroller read strobe, active low	142	RCS#	O	DRAM chip select, active low
97	DVDD18	–	1.8V power pin for internal digital circuitry	143	BA0	I/O	DRAM bank address 0
98	UP1_2	I/O	Microcontroller port 1-2	144	DVSS	–	1.8V Ground pin for internal digital circuitry
99	UP1_3	I/O	Microcontroller port 1-3	145	BA1	I/O	DRAM bank address 1
100	UP1_4	I/O	Microcontroller port 1-4	146	RA10	I/O	DRAM address 10
101	UP1_5	I/O	Microcontroller port 1-5	147	RA0	I/O	DRAM address 0
102	UP1_6	I/O	Microcontroller port 1-6 I ² C clock pin	148	DVSS	–	3.3V Ground pin for internal digital circuitry
103	UP1_7	I/O	Microcontroller port 1-7 I ² C data pin	149	RA1	I/O	DRAM address 1
				150	RA2	I/O	DRAM address 2
104	UP3_0	I/O	Microcontroller port 3-0 8032 RS232 RXD	151	RA3	I/O	DRAM address 3
				152	DVDD18	–	1.8V power pin for internal digital circuitry
105	UP3_1	I/O	Microcontroller port 3-1 8032 RS232 TXD	153	NC	–	–
				154	NC	–	–
106	UP3_4	I/O	Microcontroller port 3-4 Hardwired RD232 RXD I ² C clock pin	155	DVDD3	–	3.3V power pin for internal digital circuitry
				156	RCLK	I/O	DRAM clock
107	UP3_5	I/O	Microcontroller port 3-5 Hardwired RD232 TXD I ² C data pin	157	CKE	O	DRAM clock enable
				158	RA11	I/O	DRAM address bit 11
108	DVDD3	–	3.3V power pin for internal digital circuitry	159	RA9	I/O	DRAM address 9
				160	RA8	I/O	DRAM address 8
109	ICE	I	Microcontroller ICE mode enable	161	DVSS	–	3.3V Ground pin for internal digital circuitry
110	PRST#	I	Power on reset input, active low	162	RA7	I/O	DRAM address 7
111	IR	I	IR control signal input	163	DVSS	–	1.8V Ground pin for internal digital circuitry
112	INT0#	I/O	Microcontroller external interrupt 0, active low	164	RA6	I/O	DRAM address 6
113	DQM0	I/O	Data mask 0	165	RA5	I/O	DRAM address 5
114	DQS0	I/O	GPIO	166	RA4	I/O	DRAM address 4
115	RD7	I/O	DRAM data 7	167	DVDD3	–	3.3V power pin for internal digital circuitry
116	DVSS	–	1.8V Ground pin for internal digital circuitry	168	RD31	I/O	GPIO
117	RD6	I/O	DRAM data 6	169	RD30	I/O	GPIO
118	RD5	I/O	DRAM data 5	170	RD29	I/O	GPIO
119	DVSS	–	3.3V Ground pin for internal digital circuitry	171	NC	–	–
120	RD4	I/O	DRAM data 4	172	NC	–	–
121	RD3	I/O	DRAM data 3	173	DVDD18	–	1.8V power pin for internal digital circuitry
122	DVDD18	–	1.8V power pin for internal digital circuitry	174	RD26	I/O	GPIO
123	RD2	I/O	DRAM data 2	175	NC	–	–
124	RD1	I/O	DRAM data 1	176	RD25	I/O	GPIO
125	RD0	I/O	DRAM data 0	177	RD24	I/O	GPIO
126	RD15	I/O	DRAM data 15	178	DQM3	I/O	GPIO
127	DVDD3	–	3.3V power pin for internal digital circuitry	179	DQM2	I/O	GPIO
128	RD14	I/O	DRAM data 14	180	NC	–	–
129	RD13	I/O	DRAM data 13	181	NC	–	–
130	RD12	I/O	DRAM data 12	182	DVDD3	–	3.3V power pin for internal digital circuitry
131	RD11	I/O	DRAM data 11	183	NC	–	–
132	RD10	I/O	DRAM data 10	184	NC	–	–
133	RD9	I/O	DRAM data 9	185	NC	–	–
134	DVSS	–	3.3V Ground pin for internal digital circuitry	186	NC	–	–
135	RD8	I/O	DRAM data 8	187	NC	–	–
136	DQS1	I/O	GPIO	188	NC	–	–

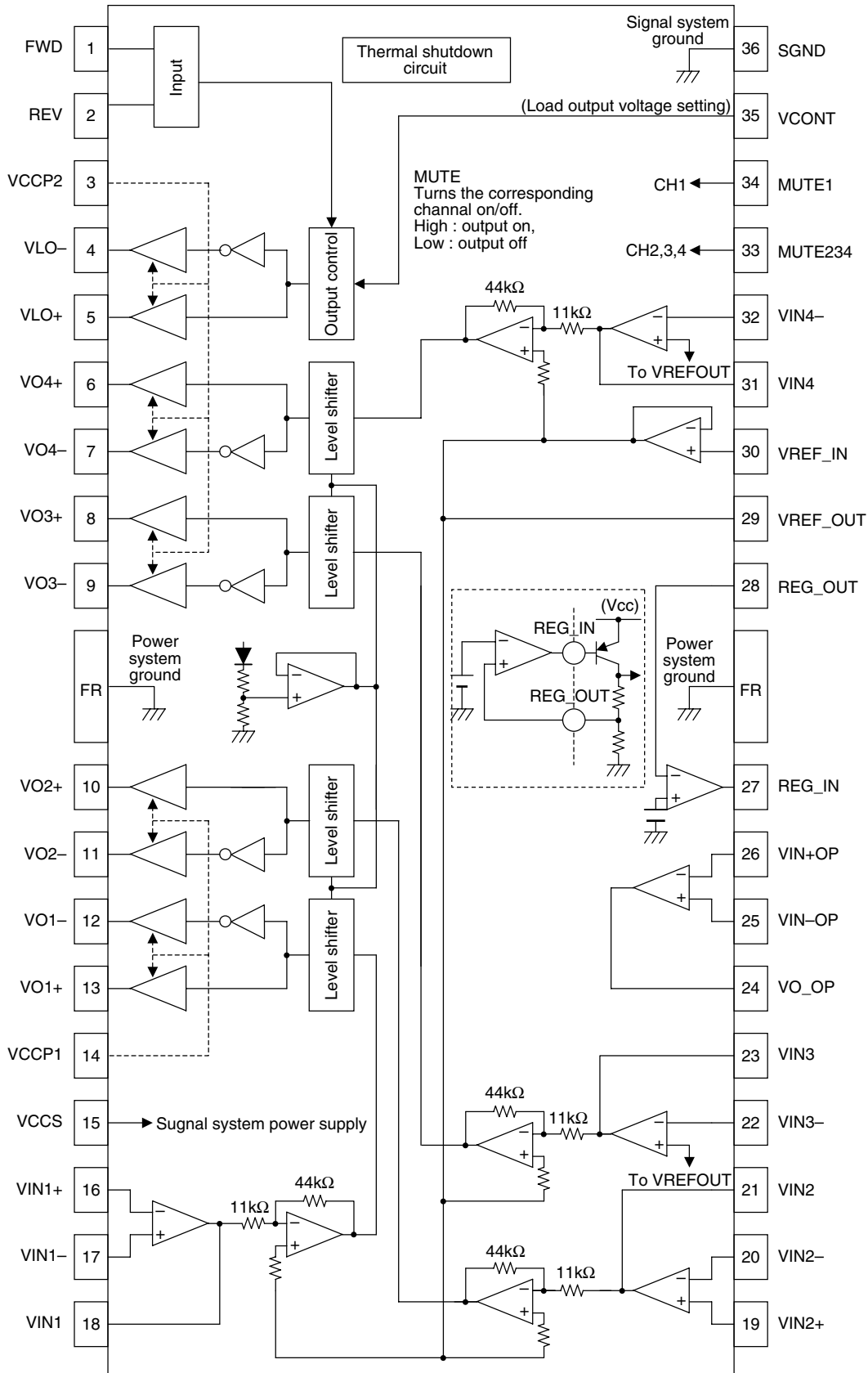
No.	Pin Name	I/O	Pin Function	No.	Pin Name	I/O	Pin Function
189	DACVDDC	–	3.3V power pin for VIDEO DAC circuitry	213	ALRCK	I/O	Audio left/right channel clock Trap value in power-on reset: 1:use external 373 0:use internal 373
190	VREF	–	Bandgap reference voltage				
191	FS	–	Full scale adjustment				
192	YUV0	O	Video data output bit 0 Compensation capacitor	214	ABCK	O	Audio bit clock Phase de-modulation
193	DACVSSC	–	Ground pin for VIDEO DAC circuitry	215	ACLK	I/O	Audio DAC master clock
194	YUV1	O	Video data output bit 1 Analog Y output	216	DVSS	–	1.8V Ground pin for internal digital circuitry
195	DACVDDB	–	3.3V power pin for VIDEO DAC circuitry	217	ASDATA0	I/O	Audio serial data 0 (Front-Left/Front-Right) DSD data left channel Trap value in power-on reset: 1:manufactory test mode 0:normal operation
196	YUV2	O	Video data output bit 2 Analog chroma output				
197	DACVSSB	–	Ground pin for VIDEO DAC circuitry	218	ASDATA1	I/O	Audio serial data 1 (Left-Surround/Right-Surround) DSD data right channel Trap value in power-on reset: 1:manufactory test mode 0:normal operation While only 2 channels output: GPO
198	YUV3	O	Video data output bit 3 Analog composite output				
199	DACVDDA	–	3.3V power pin for VIDEO DAC circuitry	219	ASDATA2	I/O	Audio serial data 2 (Center/LFE) DSD data left surround channel Trap value in power-on reset: 1:manufactory test mode 0:normal operation While only 2 channels output: GPO
200	YUV4	O	Video data output bit 4 Green or Y				
201	DACVSSA	–	Ground pin for VIDEO DAC circuitry	220	ASDATA3	I/O	Audio serial data 3 (Center-back/Center-left-back/Center-right-back, in 6.1 or 7.1 mode) DSD data right surround channel Trap value in power-on reset: 1:manufactory test mode 0:normal operation While only 2 channels output: GPIO
202	YUV5	O	Video data output bit 5 Blue or CB				
203	YUV6	O	Video data output bit 6 Red or CR				
204	DVDD3	–	3.3V power pin Video DAC digital circuitry only				
205	VSYN	I/O	Vertical sync input/output While no External TV-encoder: Vertical sync for video-input Version AD input port 1 GPIO	221	DVDD18	–	1.8V power pin for internal digital circuitry
206	YUV7	I/O	Video data output bit 7 While no External TV-encoder: Microcontroller external interrupt 3 Audio serial data 5 part II:DSD data sub-woofer channel or Microphone output GPIO	222	ASDATA4	I/O	Audio serial data 4 (Down-mixed Left/Right) DSD data center channel Trap value in power-on reset: 1:manufactory test mode 0:normal operation While only 2 channels output: Microcontroller external interrupt 1 GPIO
207	HSYN	I/O	Horizontal sync input/output While no External TV-encoder: Horizontal sync for video-input Microcontroller external interrupt 4 Version AD input port 2 GPIO	223	DVSS	–	3.3V Ground pin for internal digital circuitry
208	SPMCLK	I/O	Audio DAC master clock of SPDIF input While SPDIF input is not used: Serial interface port 0 clock pin GPIO	224	MC_DATA	I/O	Microphone serial input While not support Microphone: Microcontroller external interrupt 2 GPIO
209	SPDATA	I/O	Audio data of SPDIF input While SPDIF input is not used: Serial interface port 0 data-in GPIO	225	SPDIF	O	SPDIF output
210	SPLRCK	I/O	Audio left/right channel clock of SPDIF input While SPDIF input is not used: Serial interface port 0 data-out GPIO	226	RFGND18	–	Analog ground
211	SPBCK	I/O	Audio bit clock of SPDIF input While SPDIF input is not used: Serial interface port 0 chip select Audio serial data 5 part I:DSD data sub-woofer channel or Microphone output GPIO	227	RFVDD18	–	Analog power 1.8V
212	DVDD3	–	3.3V power pin for internal digital circuitry	228	XTALO	O	27M crystal out
				229	XTALI	I	27M crystal in
				230	JITFO	O	The output terminal of RF jitter meter
				231	JITFN	I	The input terminal of RF jitter meter
				232	PLLSS	–	Ground pin for data PLL and related analog circuitry
				233	IDACEXLP	O	Data PLL DAC Low-pass filter
				234	PLLVDD3	–	Power pin for data PLL and related analog circuitry
				235	LPFON	O	The negative output of loop filter amplifier
				236	LPFIP	I	The positive input terminal of loop filter amplifier
				237	LPFIN	I	The negative input terminal of loop filter amplifier
				238	LPFOP	O	The positive output of loop filter amplifier

No.	Pin Name	I/O	Pin Function	No.	Pin Name	I/O	Pin Function
239	ADCVDD3	–	Analog 3.3V Power for ADC	249	RFGND	–	Analog Power
240	NC	–	–	250	NC	–	–
241	ADCVSS	–	Analog ground for ADC	251	NC	–	–
242	NC	–	–	252	OSP	O	RF Offset cancellation capacitor connecting
243	NC	–	–	253	OSN	O	RF Offset cancellation capacitor connecting
244	RFVDD3	–	Analog Power	254	RFGC	O	RF AGC loop capacitor connecting for DVD-ROM
245	RFRPDC	O	RF ripple detect output	255	IREF	I	Current reference input. It generates reference current for RF path. Connect an external 15K resistor to this pin and AVSS
246	RFRPAC	I	RF ripple detect input (through AC-coupling)				
247	HRFZC	I	High frequency RF ripple zero crossing				
248	CRTPLP	O	Defect level filter capacitor connecting	256	AVDD3	–	Analog power 3.3V

LA6565 (DVD MT : IC2301)

• MOTOR DRIVE

● Internal Block Diagram



● Pin Functions

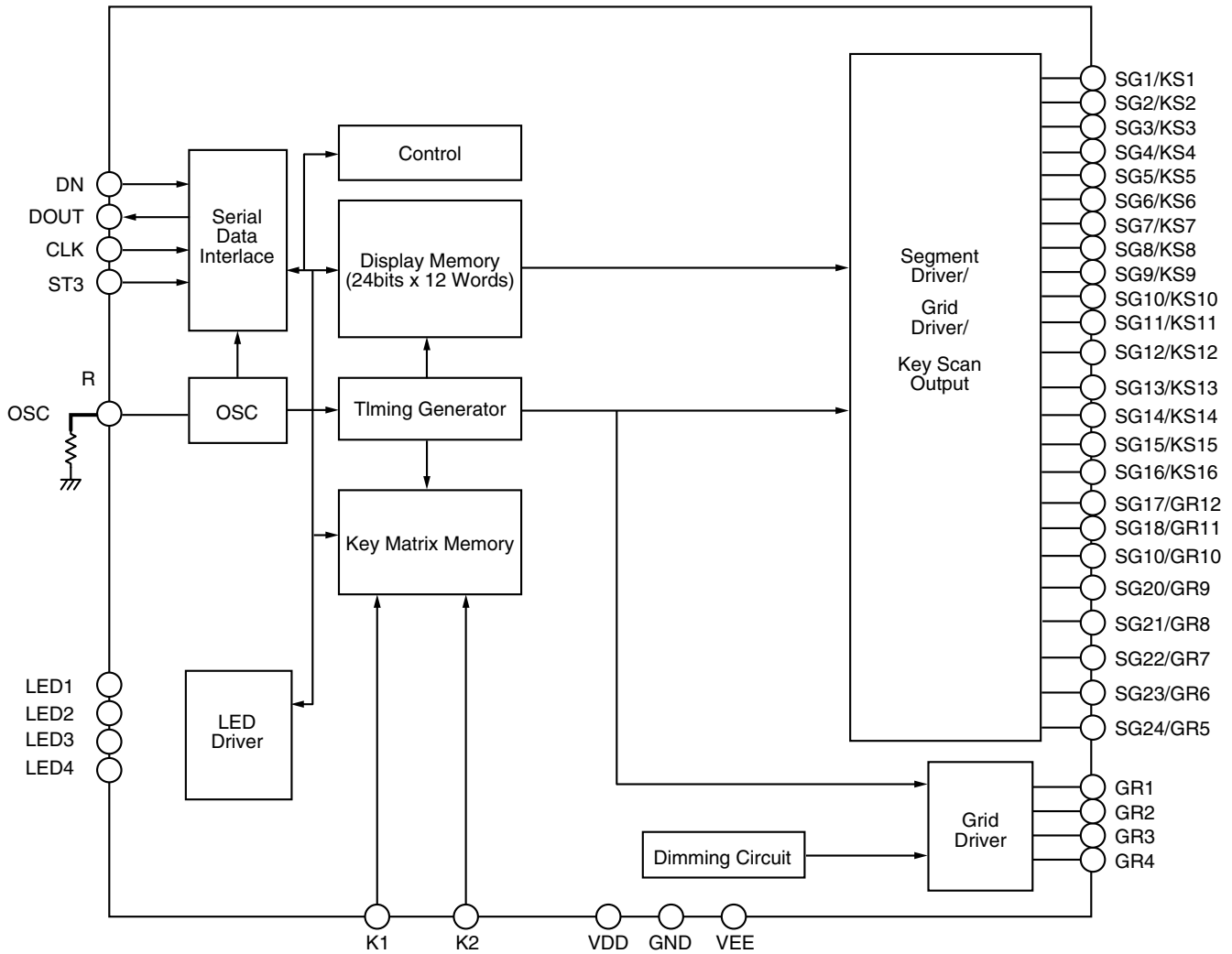
Pin No.	Pin Name	Pin Descriptions
1	FWD	Loading output direction switching (FWD). Loading system logic input.
2	REV	Loading output direction switching (REV). Loading system logic input.
3	V CC 2	Channels 3, 4, and loading power stage power supply
4	VLO –	Loading output (–)
5	VLO +	Loading output (+)
6	VO4 +	Channel 4 output (+)
7	VO4 –	Channel 4 output (–)
8	VO3 +	Channel 3 output (+)
9	VO3 –	Channel 3 output (–)
10	VO2 +	Channel 2 output (+)
11	VO1 –	Channel 2 output (–)
12	VO1 –	Channel 1 output (–)
13	VO1 +	Channel 1 output (+)
14	VCCP1	Channel 1 and 2 power stage power supply
15	VCCS	Signal system power supply
16	VIN1 +	Channel 1 input. Input operational amplifier + input.
17	VIN1 –	Channel 1 input. Input operational amplifier – input.
18	VIN1	Channel 1 input. Input operational amplifier output.
19	VIN2 +	Channel 2 input. Input operational amplifier + input.
20	VIN2 –	Channel 2 input. Input operational amplifier – input.
21	VIN2	Channel 2 input. Input operational amplifier output.
22	VIN3 –	Channel 3 input. Input operational amplifier – input.
23	VIN3	Channel 3 input. Input operational amplifier output.
24	VO_OP	Operational amplifier output
25	VIN–OP	Operational amplifier – input
26	VIN+OP	Operational amplifier + input
27	REG_IN	Regulator error amplifier output. Connect this pin to the base of the external pnp transistor.
28	REG_OUT	Regulator error amplifier input (+).
29	VREF_OUT	VREF amplifier (voltage follower) output.
30	VREF_IN	VREF input. Apply the external reference voltage to this pin.
31	VIN4	Channel 4 input. Input operational amplifier output.
32	VIN4 –	Channel 4 input operational amplifier – input.
33	MUTE234	Controls the on/off state of channels 2, 3, and 4.
34	MUTE1	Channel 1 output on/off control
35	VCONT	Loading block output high–level voltage setting
36	S_GND	Signal system ground

PT6315 (OPERATION 1 ASSY : IC651)

• FIP DRIVE IC

A

● Block Diagram



B

C

D

E

F

● Pin Description

Pin Name	I/O	Description	Pin No.
LED1 to LED4	O	LED Output Pin	1 to 4
OSC	I	Oscillator Input Pin A resistor is connected to this pin to determine the oscillation frequency	5
DOUT	O	Data Output Pin (N-Channel, Open-Drain) This pin outputs serial data at the falling edge of the shift clock (starting from the lower bit).	6
DIN (Schmitt Trigger)	I	Data Input Pin This pin inputs serial data at the rising edge of the shift clock (starting from the lower bit)	7
CLK (Schmitt Trigger)	I	Clock Input Pin This pin reads serial data at the rising edge and outputs data at the falling edge.	8
STB (Schmitt Trigger)	I	Serial Interface Strobe Pin The data input after the STB has fallen is processed as a command. When this pin is "HIGH", CLK is ignored.	9
K1 to K2	I	Key Data Input Pins The data inputted to these pins are latched at the end of the display cycle.	10 ,11
VSS	–	Logic Ground Pin	12,44
VDD	–	Logic Power Supply	13,43
SG1/KS1 to SG16/KS16	O	High-Voltage Segment Output Pins Also acts as the Key Source	14 to 29
VEE	–	Pull-Down Level	30
SG17/GR12 to SG24/GR5	O	High Voltage Segment/Grid Output Pins	31 to 38
GR4 to GR1	O	High-Voltage Grid Output Pins	39 to 42

7.4 DISC / CONTENT FORMAT PLAYBACK COMPATIBILITY

compatibility

This player is compatible with a wide range of disc types (media) and formats. Playable discs will generally feature one of the following logos on the disc and/or disc packaging. Note however that some disc types, such as recordable CD and DVD, may be in an unplayable format—see below for further compatibility information.

Please also note that recordable discs cannot be recorded using this player.



-  is a trademark of Fuji Photo Film Co. Ltd.
- Also compatible with KODAK Picture CD

This player supports the IEC's Super VCD standard. Compared to the Video CD standard, Super VCD offers superior picture quality, and allows two stereo soundtracks to be recorded. Super VCD also supports the widescreen size.



CD-R/RW compatibility

- Compatible formats: CD-Audio, Video CD/ Super VCD, ISO 9660 CD-ROM* containing MP3, WMA, JPEG or DivX video files
* ISO 9660 Level 1 or 2 compliant. CD physical format: Mode1, Mode2 XA Form1. Romeo and Joliet file systems are both compatible with this player.
- Multi-session playback: No
- Unfinalized disc playback: No
- File structure (may differ): Up to 299 folders on a disc; up to 648 folders and files (combined) within each folder.

- Compatible formats: DVD-Video, Video Recording (VR)*
* Edit points may not play exactly as edited; screen may go momentarily blank at edited points.
- Unfinalized playback: No
- WMA/MP3/JPEG file playback on DVD-R/RW: No

Compressed audio compatibility

- Compatible formats: MPEG-1 Audio Layer 3 (MP3), Windows Media Audio (WMA)
- Sampling rates: 32, 44.1 or 48kHz
- Bit-rates: Any (128Kbps or higher recommended)
- VBR (variable bit rate) MP3 playback: No
- VBR WMA playback: No
- WMA lossless encoding compatible: No
- DRM (Digital Rights Management) compatible: Yes (DRM-protected audio files will *not* play in this player)
- File extensions: .mp3, .wma (these must be used for the player to recognize MP3 and WMA files – do not use for other file types)

About WMA



The Windows Media[®] logo printed on the box indicates that this player can playback Windows Media Audio content.

WMA is an acronym for Windows Media Audio and refers to an audio compression technology developed by Microsoft Corporation. WMA content can be encoded by using Windows Media® Player version 7, 7.1, Windows Media® Player for Windows® XP, or Windows Media® Player 9 Series.

Microsoft, Windows Media, and the Windows logo are trademarks, or registered trademarks of Microsoft Corporation in the United States and/or other countries.

About DivX

DivX is a compressed digital video format created by the DivX® video codec from DivXNetworks, Inc. This player can play DivX video files burned on CD-R/RW/ROM discs. Keeping the same terminology as DVD-Video, individual DivX video files are called "Titles." When naming files/titles on a CD-R/RW disc prior to burning, keep in mind that by default they will be played in alphabetical order.

DivX video compatibility

- Official DivX® Certified product.
- Plays DivX® 5, DivX® 4, DivX® 3 and DivX® VOD video content (in compliance with DivX® Certified technical requirements).
- File extensions: .avi and .divx (these must be used for the player to recognize DivX video files). *Note that all files with the .avi extension are recognized as MPEG4, but not all of these are necessarily DivX video files and therefore may not be playable on this player.*

DivX, DivX Certified, and associated logos are trademarks of DivXNetworks, Inc. and are used under license.

JPEG file compatibility

- Compatible formats: Baseline JPEG and EXIF 2.2* still image files up to a resolution of 3072 x 2048.
**File format used by digital still cameras*
- Progressive JPEG compatible: No
- File extensions: .jpg (must be used for the player to recognize JPEG files – do not use for other file types)

PC-created disc compatibility

Discs recorded using a personal computer may not be playable in this unit due to the setting of the application software used to create the disc. In these particular instances, check with the software publisher for more detailed information.

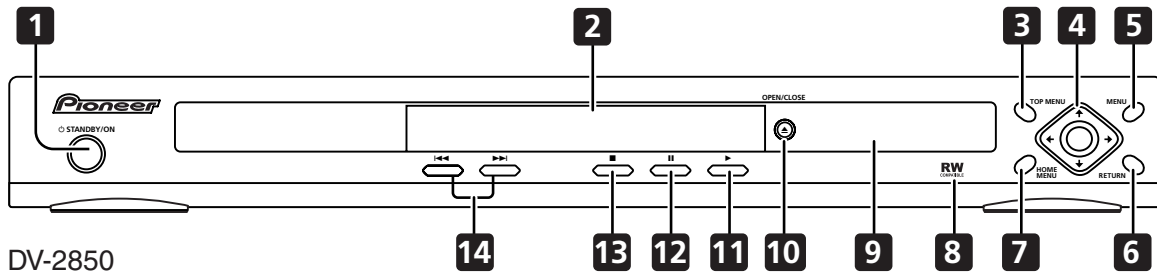
Discs recorded in packet write mode (UDF format) are not compatible with this player.

Check the DVD-R/RW or CD-R/RW software disc boxes for additional compatibility information.

8. PANEL FACILITIES

8.1 FRONT PANEL SECTION

Front panel



1 **STANDBY/ON**

Press to switch the player on or into standby.

2 **Disc tray**

3 **TOP MENU**

Press to display the top menu of a DVD disc.

4 **ENTER & cursor buttons**

Use to navigate on-screen displays and menus. Press **ENTER** to select an option or execute a command.

5 **MENU**

Press to display a DVD disc menu, or the Disc Navigator if a VR format DVD-RW, CD, Video CD, MP3, WMA or JPEG disc is loaded.

6 **RETURN**

Press to return to a previous menu screen.

7 **HOME MENU**

Press to display (or exit) the on-screen display.

8 **RW** COMPATIBLE **Compatible**

This mark indicates compatibility with DVD-RW discs recorded on a DVD recorder in Video Recording mode.

9 **Display**

Description of the display.

10 **OPEN/CLOSE**

Press to open or close the disc tray.

11

Press to start or resume playback.

12

Press to pause playback. Press again to restart.

13

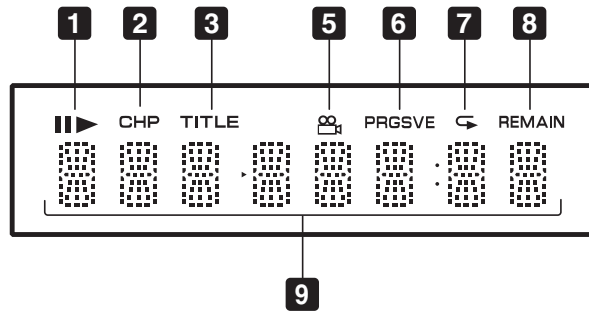
Press to stop the disc (you can resume playback by pressing (play)).

14 and

- Press and hold for fast reverse/forward scanning.
- Press to jump to the previous/next chapter or track.

8.2 DISPLAY

Display



1 **II and ►**

Indicates whether a disc is playing or paused.

2 **CHP**

Indicates that the character display is showing a DVD chapter number.

3 **TITLE**

Indicates that the character display is showing a DVD title number.

5

Lights during multi-angle scenes on a DVD disc.

6 **PRGSVE**

Lights when the player is set to output progressive scan video.

7

Lights in any of the repeat play modes.

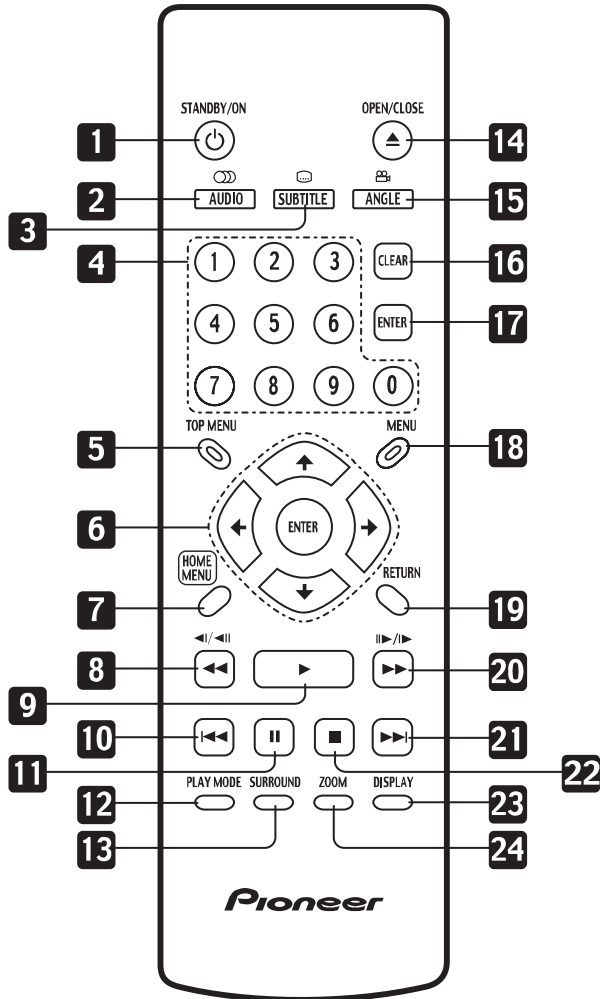
8 **REMAIN**

Indicates that the character display is showing the disc or title/chapter/track remain time.

9 **Character display**

8.3 REMOTE CONTROL

Remote control



1 STANDBY/ON

Press to switch the player on or into standby.

2 AUDIO

Press to select the audio channel or language.

3 SUBTITLE

Press to select a subtitle display.

4 Number buttons

5 TOP MENU

Press to display the top menu of a DVD disc.

6 ENTER & cursor buttons

Use to navigate on-screen displays and menus. Press **ENTER** to select an option or execute a command.

7 HOME MENU

Press to display (or exit) the on-screen display.

8 and

Use for reverse slow motion playback, frame reverse and reverse scanning.

9

Press to start or resume playback.

10

chapter or track, then to previous chapters/tracks.

11

Press to pause playback; press again to restart.

12 PLAY MODE

Press to display the Play Mode menu. (You can also get to the Play Mode menu by pressing **HOME MENU** and selecting Play Mode).

Press to jump to the beginning of the current

Remote control 2

13 SURROUND

Press to activate/switch off  V/SRS TruSurround.

14 OPEN/CLOSE

Press to open or close the disc tray.

15 ANGLE

Press to change the camera angle during DVD multi-angle scene playback.

16 CLEAR

Press to clear a numeric entry.

17 ENTER

Use to select menu options, etc.

18 MENU

Press to display a DVD disc menu, or the Disc Navigator if a VR format DVD-RW, CD, Video CD, MP3, WMA or JPEG disc is loaded.

19 RETURN

Press to return to a previous menu screen.


20 and

Use for forward slow motion playback, frame advance and forward scanning.

21

Press to jump to the next chapter or track.

22

Press to stop the disc (you can resume playback by pressing  (play)).

23 DISPLAY

Press to display information about the disc playing.

24 ZOOM

Press to change the zoom level.

A

B

C

D

E

F

■ Jigs list

A

Name	Jig No.	Remarks
Service Remote Control Unit	GGF1381	diagnosis
DVD Test Disc (DVD-Video)	GGV1025	Check of DVD-Video
CD Test Disc	STD-905	Check of CD

B

■ Lubricants and Glues list



C

Name	Lubricants and Glues No.	Remark
Dyefree	GEM1036 (ME-913A)	Refer to "2.3 05 DVD MECHA SECTION"
Grease	GYA1001 (PN-397)	Refer to "2.3 05 DVD MECHA SECTION"
Grease	GEM1018 (G-478B)	Refer to "2.3 05 DVD MECHA SECTION"

D

■ Cleaning



- Before shipping out the product, be sure to clean the following positions by using the prescribed cleaning tools:

E

Position to be cleaned	Cleaning tools	Remark
Pickup lenses	Cleaning liquid : GEM1004	Refer to "2.3 05 DVD MECHA SECTION" , "7.2 DISASSEMBLY SECTION".
	Cleaning paper : GED-008	

E

F